



**TW1000-10W-50 FLAG FRAME  
VARIABLE SPEED BOOSTER PUMP SYSTEM**

**TW1000-10W-50 FLAG FRAME**

The *TW1000-10W-50 Flag Frame Booster System* is equipped with a centrifugal pump regulated by a variable frequency drive that controls pump operation to maintain constant pressure regardless of varying demand or fluctuation in incoming pressure. This system will supply 10 GPM with a 50 PSI overboost.

**Features and Benefits:**

- Residential & Commercial application
- Quiet, Compact & Powerful
- Variable Frequency Drive controlled pump
- Energy efficient operation
- Prewired & Factory Tested

**Lead-Free\* (Wetted) components:**

- Centrifugal Pump: Cast Iron [SS Option]
- Relief valve: LF Brass or SS
- Pressure Gauge: Stainless Steel
- Transducer: Stainless Steel
- Check valve: LF Brass or SS
- Fittings: LF Copper or SS

\*All lead-free brass shall contain <.25% Pb



*All parts shown are included in the system  
Actual system components may vary  
Some assembly required*

**Technical Specifications:**

- Pump:** Walrus (TEFC) [2T-4K]
- Horse Power:** 1/2 HP
- Controller:** Vacon 20 - NEMA 1 Rating
- Flow Rate:** 10 GPM
- Boost:** 50 PSI Overboost
- Suction:** 1 inch
- Discharge:** 1 inch
- Tank:** 2 Gallon [PLT-5]
- Frame Size:** 17" W x 25" H x 17" D
- Decibel rating:** <70 db @ 3500 RPM
- Weight:** 65 lbs (approx.)

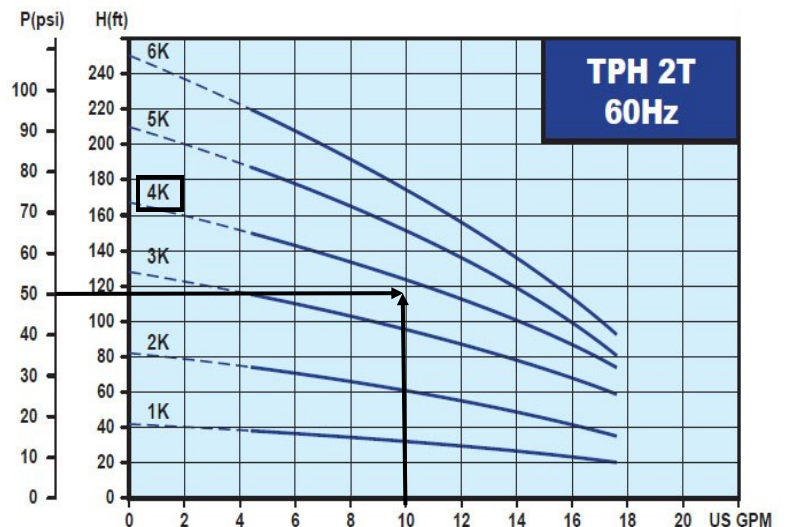
**SPECIFY WHEN ORDERING**

1. Discharge Pressure: \_\_\_\_\_ PSI
2. Power: Independent circuit recommended

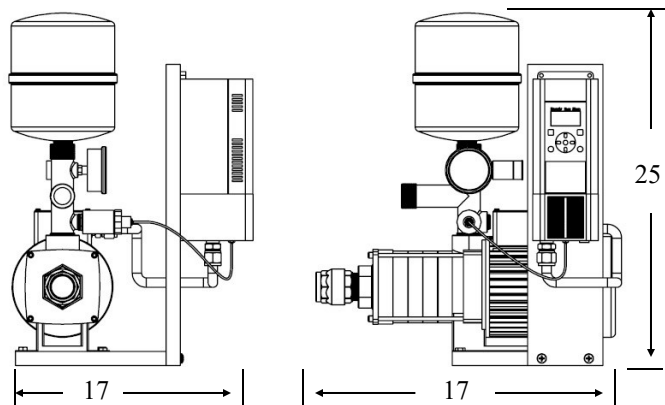
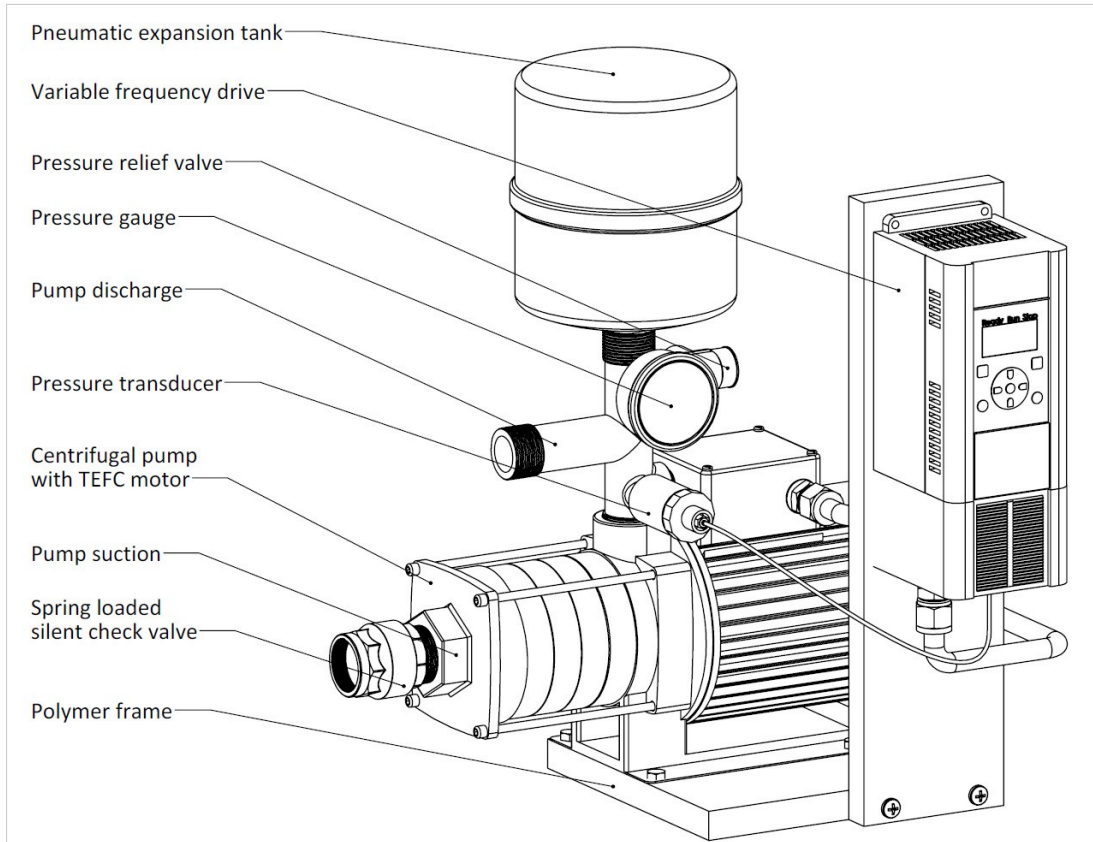
Options	Input Current (Amps)
208-220V/1	8.3
208-220V/3	4.3
360-480V/3	2.8
*115 Plug In	15

\*Non-GFCI Outlet required

*Pump performance curve*



**BOOSTER SYSTEM DIMENSIONS**



**PROPRIETARY AND CONFIDENTIAL**  
THE INFORMATION CONTAINED IN THIS DRAWING IS THE SOLE PROPERTY OF TOWLE WHITNEY LLC. ANY REPRODUCTION IN PART OR AS A WHOLE WITHOUT THE WRITTEN PERMISSION OF TOWLE WHITNEY LLC IS PROHIBITED.

DIMENSIONS ARE SUBJECT TO CHANGE  
DO NOT USE FOR CONSTRUCTION  
UNLESS OTHERWISE SPECIFIED  
DIMENSIONS ARE IN INCHES

DO NOT SCALE DRAWING

NAME	DATE
DRAWN VID	12/5/14
CHECKED	
COMMENTS:	

<b>TOWLE WHITNEY LLC</b>		
SIZE <b>A</b>	DWG. NO. 120514A	REV.
SCALE:1:10	WEIGHT:	SHEET 1 OF 1

**Assembled Units:**

- All “wetted surfaces” shall be lead free (<.25% Pb) in conformance with the 1/4/14 federal law
- Shall have a variable frequency drive (VFD) with a pressure transducer, pressure gauge, and relief valve
- Each system shall have a properly sized air charged pneumatic tank
- Pump shall be connected to a separate and independent disconnect box [supplied by others]

**Variable Frequency Drive (VFD) shall:**

- Shall be rated using specified power requirement, efficiency shall be 98% or better at full speed
- All factory preset values and/or last saved data values must remain available to the operator in the event of a complete power outage
- NEMA 1 rated conduit enclosure
- Operate to a program that protects the pump against damaging hydraulic conditions such as:
  - Motor overload, pump overflow surges, loss of prime due to incoming water supply interruption, hunting, overload through frequency/current optimization, hydraulic damage by restricting the pumps to operate beyond their published end of curve
- Automatically restart after an over-current, over-voltage, under-voltage or loss of input signal protective trip
- Have an operator control panel [keypad] for customization of parameters
- Include a feature to upload / download parameters into an external device to be used with another drive or the same drive
- Have a removable non-volatile memory device
- Be capable of accepting individual analog inputs from transducer. All transducer inputs must be wired to the variable frequency drive for continuous scan and comparison function
- Utilize a proportional ladder logic program - integral - derivative control function
- Display the following values:
  - Pump running/standby, pump speed in Hz, user adjustable parameters such as PID set points
  - Motor frequency, motor current, threshold set points for PID error, minimum operating frequency
  - Troubleshooting and diagnostics of faults

**Transducer:**

- Shall be provided to supply all pressure signals to the variable frequency drive
- Shall be rated for required system pressure and shall be 4-20 mA analog

**Centrifugal pump:**

- Shall have cast iron casing with 304 stainless steel impellers. (All Stainless steel pump is an available upgrade)
- Shall have a 316 stainless steel shaft sleeve and a replaceable tungsten carbide + HNBR mechanical seal
- Mechanical seal shall be rated to withstand pressure of up to 142 PSI
- Motor shall be totally enclosed fan cooled (TEFC) and manufactured in compliance with CE, RoHS and CSA

**Pneumatic expansion tank:**

- Shall be rated for use with potable water with an operating pressure of a maximum 125 PSI
- Shall be pre-charged to a pressure of 10 PSI below system operating pressure



**Valves and fittings:**

- Shall be sized appropriately to allow water velocity not exceeding 10 ft/sec, to minimize cavitation and turbulence
- Check valve shall be spring-loaded and silent





**Installation:**

- Equipment shall be installed in accordance with applicable local building, electrical and plumbing codes
- Shall be installed indoors (unless otherwise specified) and protected from water spray

**Electrical**

Yaskawa VFD	UL 508C Power Conversion CSA 22.2 Industrial Controls		CE	<b>RoHS</b>
Lovato Shut-off	NEMA4		CE	<b>RoHS</b>

**Pumps**

Grundfos CM(I) SS Series	NSF 61		CE	
Grundfos CR(I) SS Series	NSF 61		CE	
Goulds 125MS Series	NSF 61		CE	
Goulds BF Series	NSF 61		CE	
Walrus TPH Series	NSF 372		CE	<b>RoHS</b>

**Plumbing**

Bluefin BVT200 Ball Valves	NSF 61			
Webstone BVT200 Ball Valves	NSF 61			
Bonomi Check 1000012	NSF 61		CE	
Flomatic VFD Check	NSF 61			
Victaulic 607 "E" Coupling	NSF 61			
Victaulic 660 Cap	NSF 61			
Amtrol PL Tank	NSF 61			
Watts PLT Tank	NSF 61			
Manifolds / piping	Type L Copper			
Fittings	Copper			
Discharge Riser	Copper		CE	
- Pressure Relief valve:				
- SS 4-20mA Transducer:				
- Pressure Gauges:	CA AB1953			

**Sealants**

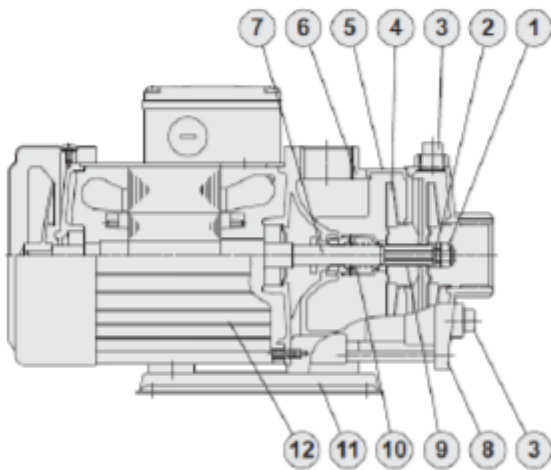
Rectorseal Nokorode Flux	NSF 61
Worthington SILVER Solder	NSF 61
LocTite 567 Thread Sealant	NSF 61
Gasoil Thread Sealant	NSF 61

# MULTISTAGE CENTRIFUGAL PUMP

**WALRUS**

**MULTISTAGE CENTRIFUGAL PUMP**

## TPH2T/4T/8T/12T



### *Motors:*

- The pump is coupled with (TEFC) Totally Enclosed Fan Cooled, squirrel-cage motor.
- Nominal speed: 3500 rpm at 60Hz
- Protection class: IP54
- Insulation class: F

### *Pumps:*

- Horizontal multi-stage centrifugal pump
- Non self-priming
- close coupled design
- Impellers mounted on extended motor shaft.

### *Materials*

No.	Part name	Material		
		Standard	S series	N series
1	Lock Nut	SUS 316	SUS 316	SUS 316
2	Sleeve(Shaft End)	SUS 304	SUS 304	SUS 316
3	Water Plug	FC 20	SUS 304	SUS 316
4	Impeller	SUS 304	SUS 304	SUS 316
5	Intermediate Chamber	SUS 304	SUS 304	SUS 316
6	Pump Casing	FC 20	SUS 304	SUS 316
7	Shaft	SUS 304	SUS 304	SUS 316
8	Suction Chamber	FC 20	SUS 304	SUS 316
9	Sleeve	SUS 304	SUS 304	SUS 316
10	Mechanical Seal	Tungsten carbide + HNBR		
11	Mounted Base	Coating Steel	SUS 316	
12	Motor Shell	Aluminum alloy		

SUS 304 may be replaced by SUS316 depended on stock availability.

### *Operating Limits:*

- Ambient temperature: Max. 104°F (40°C)
- Liquid temperature range: 32°F (0°C) to 194°F (90°C)
- Operating pressure: Max. 142 psi
- Inlet pressure: Max 85 psi

### *Suitable Liquids:*

- Clean or other non-corrosive liquids





The VACON® 20 AC drive comes packed with functionality and possibilities to bring any machine control to a completely new level. The compact size in combination with a wide power range is the base, but the VACON® 20's possibilities do not end there. A built-in PLC functionality, which is one of the most flexible on the market, makes this product adapt to every task and bring cost savings to the user.

In order for machine builders to be able to compete in an increasingly competitive market, it is important to continuously seek solutions to further improve performance and cost efficiency – VACON® 20 offers new possibilities here.

**WIDE POWER RANGE**

The VACON® 20 is available in all common voltages in the range of 110-600V. Combined with a wide power range up to 18.5kW /25 HP. The VACON® 20 has something for customers all over the globe. Customers can reduce costs by implementing our harmonized product range and increase efficiency in their manufacturing processes. In currents above 16A the drive is available with a built-in harmonic filtering choke for public networks according to IEC61000-3-12.

**CUTTING-EDGE PERFORMANCE**

Machinery performance is very much dependent on the performance of the AC drive. In the VACON® 20 we have done our best to cut cycle times and maximize the control performance of the drive. The built-in RS-485 interface offers a cost effective and simple serial control interface for the drive. With optional modules, the Vacon 20 can be connected to almost any fieldbus system including CANOpen, DeviceNet and Profibus DP.

**FAST INSTALLATION AND SET-UP**

The VACON® 20 is designed for efficient volume manufacturing where every second in installation and configuration time counts. Easy access terminals, built-in DIN rail mounting and the MCA parameter copying tool which can clone settings without main power in the drive are all examples of features that help reduce start-up time.

**WRITE CUSTOM APPLICATIONS USING VACON PROGRAMMING**

The ability to customize functionality presents OEMs an opportunity to increase machine performance and save costs. The customer can build his own control logic in the drive and utilize unused I/O of the drive for performing other machine related tasks. In addition, the the parameter list can be freely modified and application specific parameter sets and default settings can be created. By utilizing the VACON Programming\* PC Tool, VACON® 20 can help make better and more cost effective machine designs.

\*Contact your local Vacon office for more information.

**KEY BENEFITS:**

- Fieldbus connectivity
- Parameter copying without main power
- Custom-made software possible

**TYPICAL APPLICATIONS:**

- Pumps & Fans
- Conveyors
- Packaging, processing and washing machines

**TECHNICAL HIGHLIGHTS:**

- Wide power range up to 25HP/18.5kW
- High performance and functionality
- Full I/O + option board support
- Fast installation and setup
- Optional Integral DC Choke available for MI4 - MI5

**PNEUMATIC EXPANSION TANK SPECIFICATIONS**

# Models: PLT-5, PLT-12, PLT-20

Air Side Pre-pressure (psi) (bar)	Water Side Volume at 150psi (10.3 bar) (gallons)		
	PLT-5	PLT-12	PLT-20
20 (1.4)	1.48	3.42	7.102
40 (2.8)	1.26	2.88	5.882
60 (4.1)	1.0	2.49	4.705
80 (5.5)	.80	1.85	4.009

Description	PLT-5 Order No. 0067370	PLT-12 Order No. 0067371	PLT-20 Order No. 0067372
Max. Pressure - psi	150	150	150
Max. Temp. - °F	200	200	200
Tank Volume - gal.	2.1	4.5	8.5
Tank Acceptance - gal.	1.26	2.8	3.4
Air Pre-charge - psi	20	20	20
Connections Size - in.	¾ male	¾ male	¾ male
Diameter - in.	8	10.5	12½
Length - in.	11	13.5	19¾
Weight - lbs.	5.5	10	15



Certified to ANSI/NSF 61  
(73°F/23°C)



Listed by IAPMO

**CALIFORNIA PROPOSITION 65 WARNING**  
**WARNING:** This product contains chemicals known to the State of California to cause cancer and birth defects or other reproductive harm. (California law requires this warning to be given to customers in the State of California.)  
**For more information: [www.watts.com/prop65](http://www.watts.com/prop65)**

**Disclaimer:** The manufacturer of this tank does not accept any liability or other responsibility for personal injury or property damage resulting from improper use, installation or operation of this tank or the system of which it is a part.

**Notice:** The expansion tank, piping and your connections may in time leak. Select a location to install the expansion tank where a water leak will not damage the surrounding area. The manufacturer is not responsible for any water damage in connection with this expansion tank.

**Limited Warranty:** Watts Regulator Co. (the "Company") warrants each product to be free from defects in material and workmanship under normal usage for a period of one year from the date of original shipment. In the event of such defects within the warranty period, the Company will, at its option, replace or recondition the product without charge.

**THE WARRANTY SET FORTH HEREIN IS GIVEN EXPRESSLY AND IS THE ONLY WARRANTY GIVEN BY THE COMPANY WITH RESPECT TO THE PRODUCT. THE COMPANY MAKES NO OTHER WARRANTIES, EXPRESS OR IMPLIED. THE COMPANY HEREBY SPECIFICALLY DISCLAIMS ALL OTHER WARRANTIES, EXPRESS OR IMPLIED, INCLUDING BUT NOT LIMITED TO THE IMPLIED WARRANTIES OF MERCHANTABILITY AND FITNESS FOR A PARTICULAR PURPOSE.**

The remedy described in the first paragraph of this warranty shall constitute the sole and exclusive remedy for breach of warranty, and the Company shall not be responsible for any incidental, special or consequential damages, including without limitation, lost profits or the cost of repairing or replacing other property which is damaged if this product does not work properly, other costs resulting from labor charges, delays, vandalism, negligence, fouling caused by foreign material, damage from adverse water conditions, chemical, or any other circumstances over which the Company has no control. This warranty shall be invalidated by any abuse, misuse, misapplication, improper installation or improper maintenance or alteration of the product.

Some States do not allow limitations on how long an implied warranty lasts, and some States do not allow the exclusion or limitation of incidental or consequential damages. Therefore the above limitations may not apply to you. This Limited Warranty gives you specific legal rights, and you may have other rights that vary from State to State. You should consult applicable state laws to determine your rights. **SO FAR AS IS CONSISTENT WITH APPLICABLE STATE LAW, ANY IMPLIED WARRANTIES THAT MAY NOT BE DISCLAIMED, INCLUDING THE IMPLIED WARRANTIES OF MERCHANTABILITY AND FITNESS FOR A PARTICULAR PURPOSE, ARE LIMITED IN DURATION TO ONE YEAR FROM THE DATE OF ORIGINAL SHIPMENT.**







## **Booster Pump Systems**

### **Three Year Limited Warranty**

This warranty applies to booster pump systems built by Towle Whitney LLC, and shall:

- Exist 36 months from the date of shipment.
- Be in effect only after installation photographs are received by Towle Whitney LLC.

Towle Whitney LLC liability under this warranty shall be limited to the repair or replacement of any part or parts found to be defective (material or workmanship) within the warranty period. Towle Whitney LLC shall determine whether the part needs to be returned, or field scrapped. The warranty excludes:

- Any water damage or consequential damage.
- Transducers & Pump Seals.
- Debris in water causing damage to pump internal parts.
- Systems not installed in accordance with Installation and Maintenance Instructions.
- Labor, transportation, and related costs incurred by the customer.
- Misuse, negligence, inappropriate chemicals or additives in water.
- Inadequate protection from freezing.
- Lightning, high voltage spikes, accidents, floods, or acts of God.
- Re-Installation costs of repaired or replacement equipment.
- Re-Imbursement for the loss caused by interruption of service.
- Adjusting drive parameters without consulting Towle Whitney.

This warranty applies to all states and territories of the United States and Canada only. There are no express or implied warranties, including merchantability or fitness for a particular purpose, which extend beyond those warranties described or referred to above.

Some jurisdictions do not allow the exclusion or limitation of incidental or consequential damages and some jurisdictions do not allow limit actions on how long implied warranties may last. Therefore, the above limitations or exclusions may not apply. This warranty gives you specific legal rights and you may also have other rights which vary from jurisdiction to jurisdiction.