



**TW2018T-200R-80
DUPLEX VARIABLE SPEED
BOOSTER PUMP SYSTEM**

TW2018T-200R-80 DUPLEX

The **TW2018T-200R-80 Duplex Booster Pump System** is equipped with centrifugal pumps regulated by variable frequency drives that control the pump to maintain constant pressure regardless of varying demand or fluctuating incoming pressure.

System is built to fit through a 30" doorway.

VFD drives will ALTERNATE lead pump every 24 hours of run time. Second pump will remain on standby.



*All parts shown included
Actual system components may vary
Some assembly required*

Lead-Free (Wetted) components:

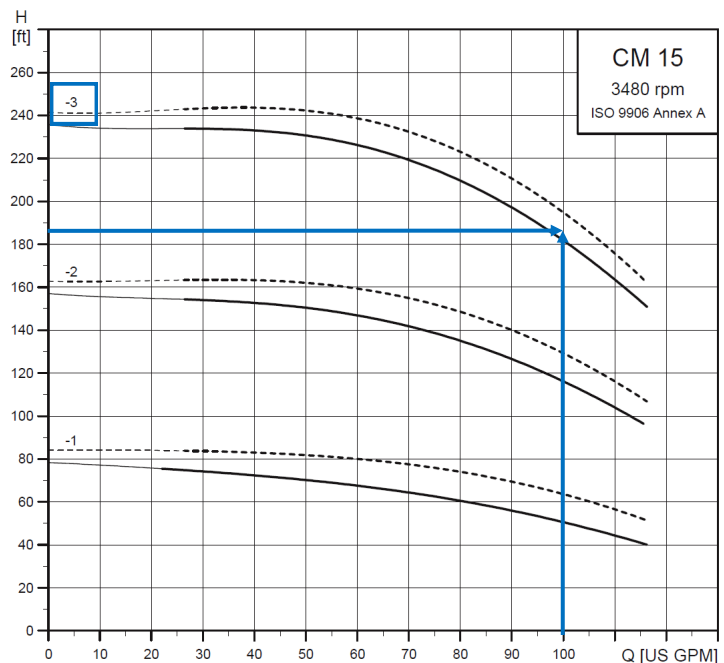
- Pumps: Stainless Steel
- Relief valves: LF Brass
- Pressure Gauges: LF Brass
- Transducers: Stainless Steel
- Check valves: Stainless Steel
- Ball Valves: LF Brass
- Manifolds: Type L Copper
- Fittings: LF Brass or SS

* All lead-free brass shall contain <.25% Pb

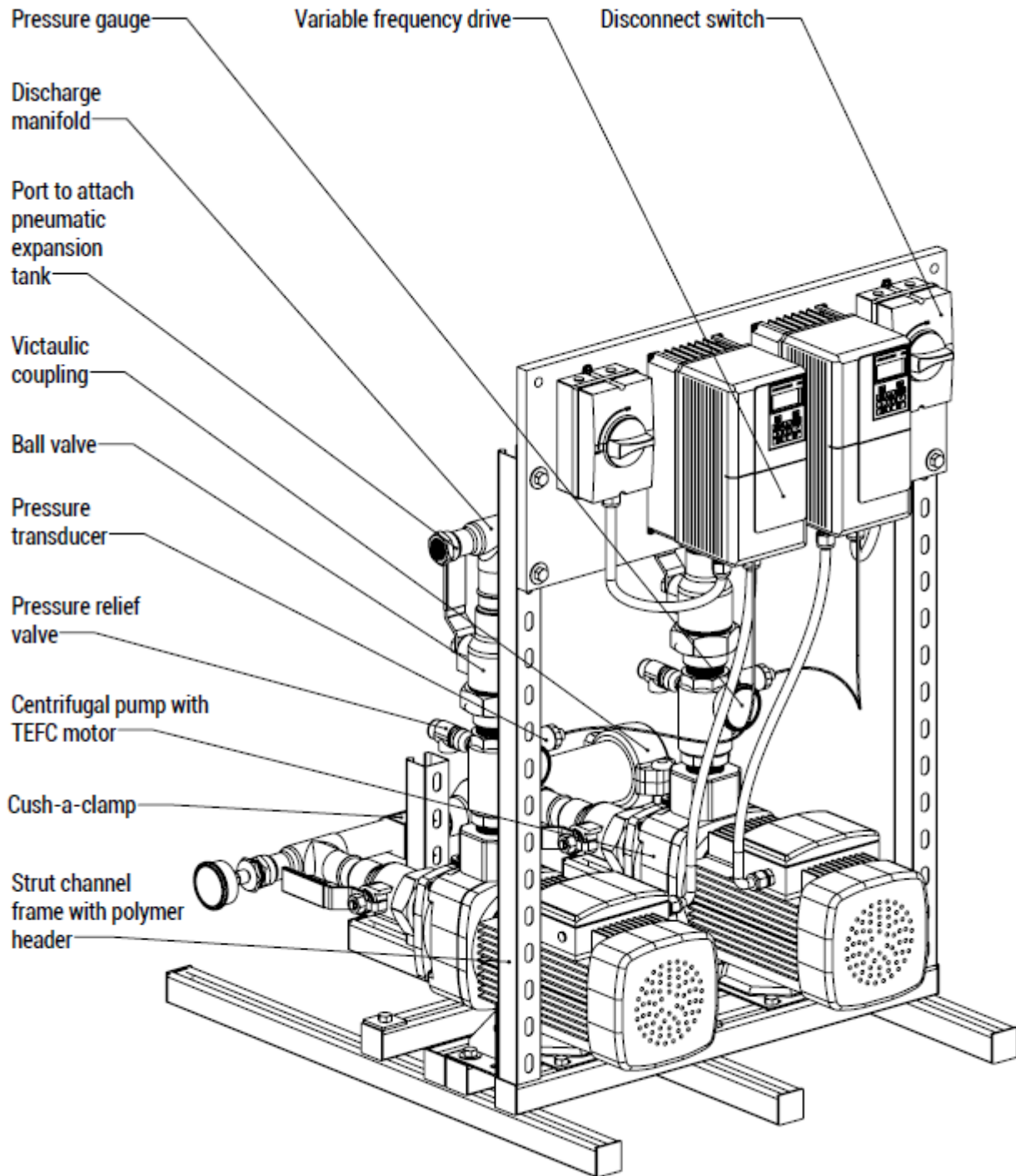
Performance curve for each pump

Technical Specifications:

- Pumps:** Grundfos [CM15-3]
- Horse Power:** 8.4 HP per pump
- VF Drives:** Yaskawa
- Flow Rate:** 200 GPM (100 GPM per pump)
- Boost:** 80 PSI
- Set Pressure:** 80 PSI (unless otherwise specified)
- Manifolds:** 3 Inch
- Tank:** 26 Gallon expansion tank
- Frame:** 29"W X 42"H X 36"D
- Power options:** Two Independent circuits required
208-220V/3PH
360-480V/3PH
Specify when ordering

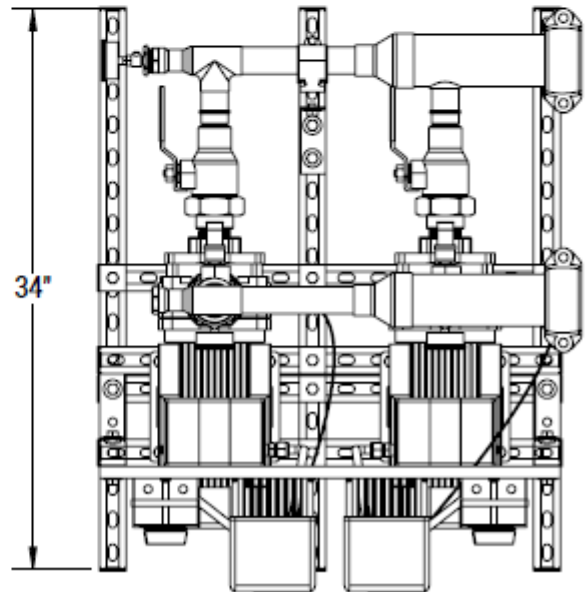
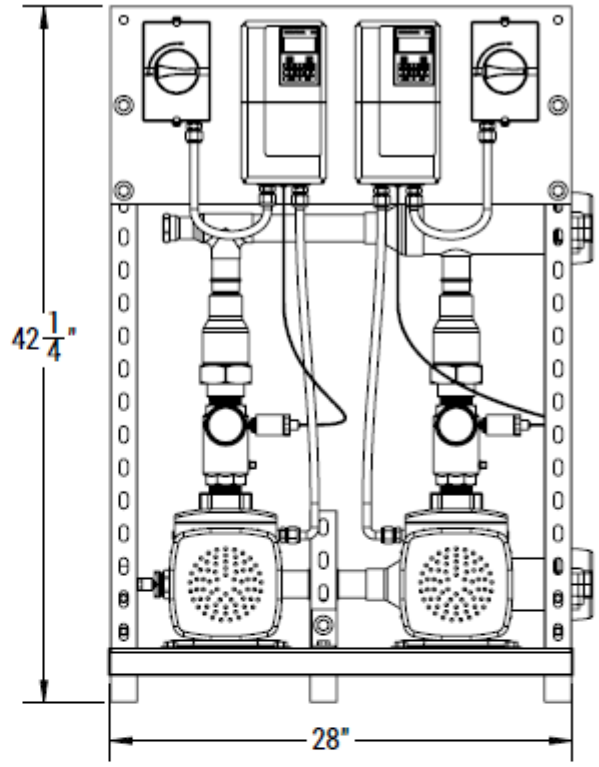
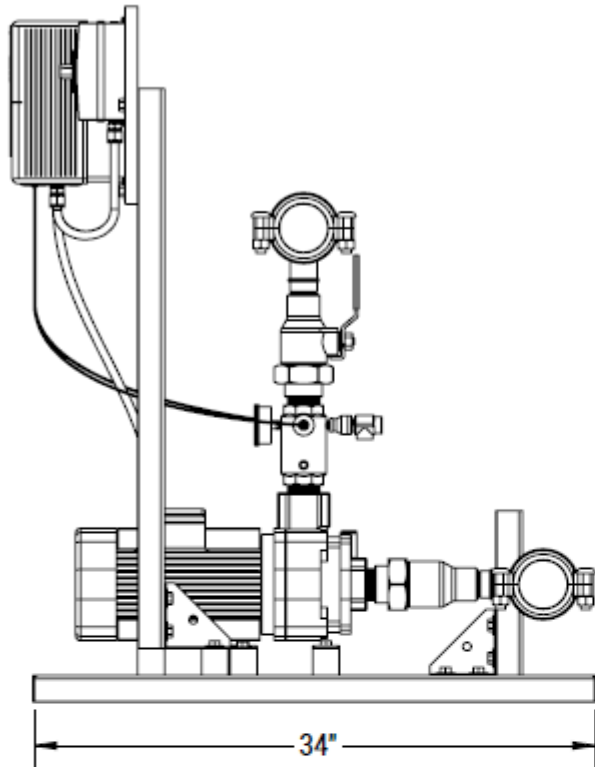


SYSTEM CONFIGURATION



TOWLE WHITNEY LLC

SYSTEM DIMENSIONS



TOWLE WHITNEY LLC

Assembled Units:

- All “wetted surfaces” shall be lead free (<.25% Pb) in conformance with the 1/4/14 federal law
- Shall include a separate and independent variable frequency drive (VFD) for each pump with a pressure transducer, pressure gauge, and relief valve. Piping and frame shall not interfere with access to the controls
- Each pump shall include isolation valves on both the suction and discharge piping
- Each pump shall have a separate and independent disconnect box
- Shall be mounted on a frame for ease of transport and installation.

Variable frequency drive:

- Will ALTERNATE the lead pump every 24 hours (field adjustable) of run time. The lag pump shall be in standby
- Shall have hands-off automatic (HOA) capability
- Rated to operate using specified power requirement. The drive efficiency shall be 98% or better
- Have UL approval with all factory installed options and preset values and/or last saved data values will remain available to the operator after power outage
- Shall have at least NEMA 1 rated conduit enclosure
- The program will protect the pumps against damaging hydraulic conditions such as:
 - Motor overload, Pump overflow surges, Loss of prime due to incoming water supply interruption, Hunting
 - Protection from overload through frequency/current optimization
 - Protection from hydraulic damage by restricting the pumps to operate beyond their published end of curve
- Shall have the ability to automatically restart after an over-current, over-voltage, under-voltage or loss of input signal
- Shall have an operator control panel [keypad] for customization of parameters
- Shall include a feature to upload/download parameters into an external device to be used with another drive or the same drive
- Shall have a removable non-volatile memory device
- Shall be capable of accepting individual analog inputs from transducer. All transducer inputs must be wired to the variable frequency drive for continuous scan and comparison function
- Ladder logic program shall utilize a proportional - integral - derivative control function
- Shall display the following values:
 - Pump running/standby, Pump speed in Hz, User adjustable parameters such as PID set points, Motor frequency, Motor current, Threshold set points for PID error, Min operating frequency, Troubleshooting and diagnostics of faults

Transducer:

- The transducer shall be rated for required system pressure and shall be 4-20 mA analog
- Separate transducers shall be supplied for each variable frequency drive to ensure redundancy

Centrifugal pump:

- Shall have a stainless steel casing with 304 stainless steel impellers.
- Shall have a 316 stainless steel shaft sleeve. Mechanical seal shall be rated to withstand pressure of up to 142 PSI
- Motor shall be to totally enclosed fan cooled (TEFC). and manufactured in compliance with CE, RoHS and CSA

Pneumatic expansion tank:

- Pneumatic expansion tank shall be rated for use with potable water with an operating pressure of a maximum 125 PSI
- Pre-charged to a pressure of 10 PSI below system operating pressure for system to run properly

Manifolds, valves and fittings:



- Manifolds are designed for either right or left access
- Shall be sized appropriately to allow water velocity not exceeding 10 ft/sec, to minimize cavitation and turbulence
- Check valves shall be silent and spring-loaded

Installation:





- Equipment shall be installed in accordance with applicable local building, electrical and plumbing codes
- Shall be installed indoors (unless otherwise specified) and protected from water spray

COMPONENT COMPLIANCE

Electrical

| | | | | |
|-----------------|--|---|----|------|
| Yaskawa VFD | UL 508C Power Conversion CSA 22.2 Industrial Controls |  | CE | RoHS |
| Lovato Shut-off | NEMA4 |  | CE | RoHS |

Pumps

| | | | | |
|--------------------------|---------|---|----|------|
| Grundfos CM(I) SS Series | NSF 61 |  | CE | |
| Grundfos CR(I) SS Series | NSF 61 |  | CE | |
| Goulds 125MS Series | NSF 61 |  | CE | |
| Goulds BF Series | NSF 61 |  | CE | |
| Walrus TPH Series | NSF 372 | | CE | RoHS |

Plumbing

| | | | | |
|-----------------------------|---------------|--|----|--|
| Bluefin BVT200 Ball Valves | NSF 61 | | | |
| Webstone BVT200 Ball Valves | NSF 61 | | | |
| Bonomi Check 1000012 | NSF 61 | | CE | |
| Flomatic VFD Check | NSF 61 | | | |
| Victaulic 607 "E" Coupling | NSF 61 | | | |
| Victaulic 660 Cap | NSF 61 | | | |
| Amtrol PL Tank | NSF 61 | | | |
| Watts PLT Tank | NSF 61 | | | |
| Manifolds / piping | Type L Copper | | | |
| Fittings | Copper | | | |
| Discharge Riser | Copper | | CE | |
| - Pressure Relief valve: | | | | |
| - SS 4-20mA Transducer: | | | | |
| - Pressure Gauges: | CA AB1953 | | | |

Sealants

| | |
|----------------------------|--------|
| Rectorseal Nokorode Flux | NSF 61 |
| Worthington SILVER Solder | NSF 61 |
| LocTite 567 Thread Sealant | NSF 61 |
| Gasola Thread Sealant | NSF 61 |



Warranty: Provide VFD warranty, for one year from startup, not to exceed 18 months from the date of shipment. Warranty shall include parts, and labor allowance for repair hours.



Performance Features (Drive)

- Ratings:
1 to 5 HP at 200-240 VAC 1-Ph.
1 to 25 HP (ND) at 200-240 VAC 3-Ph.
1 to 25 HP (ND) at 380-480 VAC 3-Ph.
- Overload Capacity:
120% for 60 sec. (Normal Duty)
- Control Methods: V/f Control,
Open Loop Current Vector Control
- DC injection braking, ramp to stop
- Electronic reversing
- Adjustable accel/decel: 0.01 to 6000 seconds
- Controlled speed range:
40:1⁽¹⁾ 100:1⁽²⁾
- Speed Regulation:
± 0.5 to 1% with slip compensation⁽¹⁾
± 0.2%⁽²⁾
- Displacement power factor: 0.98
- Output frequency: 0 to 400 Hz
- Frequency resolution:
0.01 Hz with digital reference
0.06 / 60 Hz with analog reference
- Frequency accuracy:
0.01% with digital command
0.5% with analog command
- Volts / hertz ratio: infinitely adjustable pattern
- DC Injection braking: adjustable amplitude, duration, current limited
- Torque boost: full range, auto
- Power loss ride-thru: 0.5 sec.
- Speed search
- Auto restart
- 3 Critical frequency rejection settings
- Slip Compensation
- Energy Savings Function
- Enhanced PID with loss of feedback function

⁽¹⁾ V/f Mode

⁽²⁾ Open Loop Current Vector Mode

Design Features (Drive)

- Dual microprocessor logic
- Digital keypad operator, 5 digits
- LED status display
- Remote Mount Keypad Capability
- RJ-45 Style Digital Operator Connector
- 7 multifunction digital inputs
- 3 multifunction digital outputs
- Hardwire baseblock (EN954-1 Cat. 3)
- Programmable form C output contact for customer use: 1A at 250 VAC or 30 VDC
- 24 VDC control logic compatible with sourcing or sinking outputs (PNP or NPN)
- Carrier frequency: 15 kHz max; swing PWM
- 2 Remote speed references:
0-10 VDC (20 kohms) or isolated 4-20 mA (250 ohms)
- Signal follower: bias and gain
- 2 programmable open collector outputs
- Analog monitor output:
0-10 VDC proportional to output frequency or output current
- Approx. 400 parameters and monitors
- Digital pulse train input (33 kHz max.)
- Cooling fan controlled by drive run/stop
- RS-422/485 Modbus 115 kbps
- UL recognized electronic overload
- MTBF: 28 years
- NEMA 1 enclosure
- Side-by-Side mounting
- Maintenance monitors

Protective Features (Drive)

- Current limit, stall prevention during accel, decel, and run
- Motor and drive overload
- Over voltage prevention function
- Instantaneous over current
- Short circuit
- Under voltage
- Heatsink overheat
- Ground fault protection
- Over/under torque
- Short circuit current rating: 30kA rms sym.

Pump Control Features

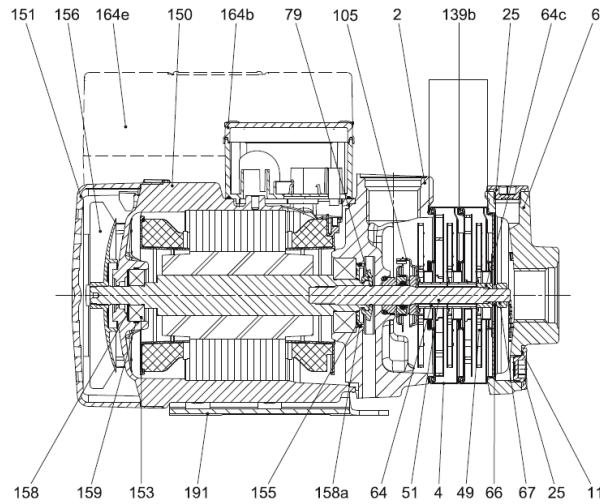
- Operator keypad with intuitive pump language
- Hand-Off-Auto
- Programmable pump process set point
- Pump start level and start time
- Sleep protection
- Simplex, duplex and triplex control
- Automatic system restart
- No flow detection
- Low and high feedback set points
- Pre-charge low level control
- Thrust bearing control
- Automatic system stabilization
- Motor condensation pre-heat function

Pump Protective Features

- Dry well
- Air in system
- Blocked impeller
- Pump over cycling
- No flow protection
- Loss of prime
- Transducer loss
- Over torque

Pump Alarms and Messages

- Low feedback
- High feedback
- Low level
- Low water
- Pump over cycling
- No flow detection
- Loss of prime
- Pump fault
- Motor thermostat
- Pre-charge mode
- Thrust bearing active
- Start mode active
- Sleep mode active

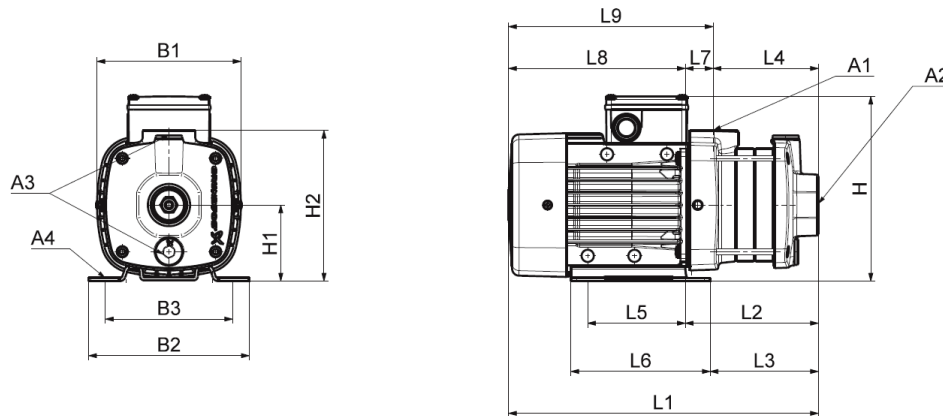


TM04 3723 3809

Fig. 7 CM(E) 1-3 with ML(E) 71 motor

Components

| Pos. | Component | Pos. | Component | Pos. | Component |
|------|----------------|------|---------------------|------------|---------------------|
| 2 | Discharge part | 64c | Clamp | 153 | Ball bearing |
| 4 | Chamber | 66 | Washer (NORD-LOCK®) | 155 | Bearing cover plate |
| 6 | Inlet part | 67 | Nut | 156 | Fan |
| 11 | O-ring | 79 | Diverting disc | 158 | Corrugated spring |
| 25 | Plug | 105 | Shaft seal | 158a | O-ring |
| 49 | Impeller | 139b | Gasket | 159 | O-ring |
| 51 | Pump shaft | 150 | Stator housing | 164b, 164e | Terminal box |
| 64 | Spacing pipe | 151 | Fan cover | 191 | Base plate |



TM04 2248 2208

Dimensions

3 x 208-230 V / 440-480 V, 60 Hz (supply voltage E)

3 x 575 V, 60 Hz (supply voltage H)

| Pump type | Frame size | P ₂ [hp] | NPT | | | Rp | Dimensions [in (mm)] | | | | | | | | | | | | | | |
|-----------|------------|---------------------|-----|----|------|--------------|----------------------|---------------|---------------|---------------|---------------|----------------|----------------|----------------|---------------|---------------|---------------|---------------|---------------|----------------|----------------|
| | | | A1 | A2 | A3 | | A4 | B1 | B2 | B3 | H | H1 | H2 | L1 | L2 | L3 | L4 | L5 | L6 | L7 | L8 |
| CM 15-1 | 90 | 3.4 | 2" | 2" | 3/8" | 0.39 (10) | 7.48 (190) | 7.84 (199) | 6.30 (160) | 8.23 (210) | 3.94 (100) | 9.65 (245) | 16.57 (421) | 7.48 (190) | 6.89 (175) | 3.82 (97) | 5.52 (140) | 6.69 (170) | 3.66 (93) | 9.13 (232) | 12.76 (324) |
| CM 15-2 | 100 | 5.4 | 2" | 2" | 3/8" | 0.39 (10) | 7.80 (198) | 7.84 (199) | 6.30 (160) | 8.66 (220) | 3.94 (100) | 9.65 (245) | 18.78 (477) | 8.07 (205) | 7.48 (190) | 3.82 (97) | 5.52 (140) | 6.69 (170) | 4.25 (108) | 10.71 (272) | 14.96 (380) |
| CM 15-3 | 112 | 8.4 | 2" | 2" | 3/8" | 0.47 (12) | 8.66 (220) | 8.98 (228) | 7.48 (190) | 9.69 (246) | 4.91 (112) | 10.19 (257) | 22.05 (560) | 10.16 (258) | 9.53 (242) | 5.00 (127) | 5.52 (140) | 6.77 (72) | 5.16 (131) | 11.89 (302) | 17.05 (433) |

PNEUMATIC EXPANSION TANK SPECIFICATIONS



PRO-LINE®
Diaphragm Well Tanks: PL Series

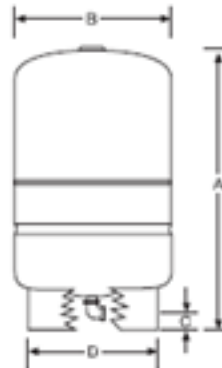
125 PSIG Working Pressure

Construction

| | |
|-------------------|----------------------|
| Shell | Deep Drawn Steel |
| Diaphragm | Butyl |
| Liner | Polypropylene |
| System Connection | 304L Stainless Steel |
| Finish | Tan |
| Water Circulator | Turbulator™ |
| Air Valve | Projection Welded |
| Factory Precharge | 38 PSIG (2.6 bar) |

Application

• Controls pump cycling in residential well water systems.



Performance

| | |
|-------------------------------|--------------------|
| Maximum Operating Temperature | 200°F (93°C) |
| Maximum Working Pressure | 125 PSIG (8.6 bar) |
| Maximum Relief Valve Setting | 100 PSIG (6.9 bar) |
| Warranty | 5 Year |

Stand Models

| Model | Tank Volume | | Max. Accept. Factor | A Tank Height | | B Tank Diameter | | C Sys. Conn. Centerline | | D Stand Diameter | | System Conn. (NPTF) | Shipping Weight | |
|--------|-------------|-----|---------------------|---------------|------|-----------------|-----|-------------------------|----|------------------|-----|---------------------|-----------------|----|
| | Gal | Lit | | in | mm | in | mm | in | mm | in | mm | | Lbs | Kg |
| PL-14 | 14.0 | 53 | 0.81 | 25 | 635 | 15 | 381 | 1 1/4 | 40 | 12 | 304 | 1 | 22 | 10 |
| PL-20 | 20.0 | 76 | 0.67 | 32 | 813 | 15 | 381 | 1 1/4 | 40 | 12 | 304 | 1 | 28 | 13 |
| PL-26 | 26.0 | 98 | 0.44 | 39 | 991 | 15 | 381 | 1 1/4 | 40 | 12 | 304 | 1 | 34 | 15 |
| PL-32 | 32.0 | 121 | 0.35 | 47 | 1194 | 15 | 381 | 1 1/4 | 40 | 12 | 304 | 1 | 40 | 18 |
| PL-34 | 34.0 | 129 | 1.00 | 30 | 762 | 22 | 559 | 1 1/4 | 49 | 20 1/2 | 521 | 1 1/4 | 50 | 23 |
| PL-44 | 44.0 | 167 | 0.77 | 38 | 914 | 22 | 559 | 1 1/4 | 49 | 20 1/2 | 521 | 1 1/4 | 57 | 26 |
| PL-62 | 62.0 | 235 | 0.55 | 47 | 1194 | 22 | 559 | 1 1/4 | 49 | 20 1/2 | 521 | 1 1/4 | 75 | 34 |
| PL-81 | 81.0 | 301 | 0.41 | 57 | 1448 | 22 | 559 | 1 1/4 | 49 | 20 1/2 | 521 | 1 1/4 | 92 | 42 |
| PL-86 | 86.0 | 326 | 0.54 | 47 | 1194 | 26 | 660 | 2 1/4 | 52 | 20 1/2 | 521 | 1 1/4 | 99 | 45 |
| PL-119 | 119.0 | 450 | 0.39 | 62 | 1575 | 26 | 660 | 2 1/4 | 52 | 20 1/2 | 521 | 1 1/4 | 133 | 60 |

All dimensions and weights are approximate.



Booster Pump Systems

Three Year Limited Warranty

This warranty applies to booster pump systems built by Towle Whitney LLC, and shall:

- Exist 36 months from the date of shipment.
- Be in effect only after installation photographs are received by Towle Whitney LLC.

Towle Whitney LLC liability under this warranty shall be limited to the repair or replacement of any part or parts found to be defective (material or workmanship) within the warranty period. Towle Whitney LLC shall determine whether the part needs to be returned, or field scrapped. The warranty excludes:

- Any water damage or consequential damage.
- Transducers & Pump Seals.
- Debris in water causing damage to pump internal parts.
- Systems not installed in accordance with Installation and Maintenance Instructions.
- Labor, transportation, and related costs incurred by the customer.
- Misuse, negligence, inappropriate chemicals or additives in water.
- Inadequate protection from freezing.
- Lightning, high voltage spikes, accidents, floods, or acts of God.
- Re-Installation costs of repaired or replacement equipment.
- Re-Imbursement for the loss caused by interruption of service.
- Adjusting drive parameters without consulting Towle Whitney.

This warranty applies to all states and territories of the United States and Canada only. There are no express or implied warranties, including merchantability or fitness for a particular purpose, which extend beyond those warranties described or referred to above.

Some jurisdictions do not allow the exclusion or limitation of incidental or consequential damages and some jurisdictions do not allow limit actions on how long implied warranties may last. Therefore, the above limitations or exclusions may not apply. This warranty gives you specific legal rights and you may also have other rights which vary from jurisdiction to jurisdiction.