

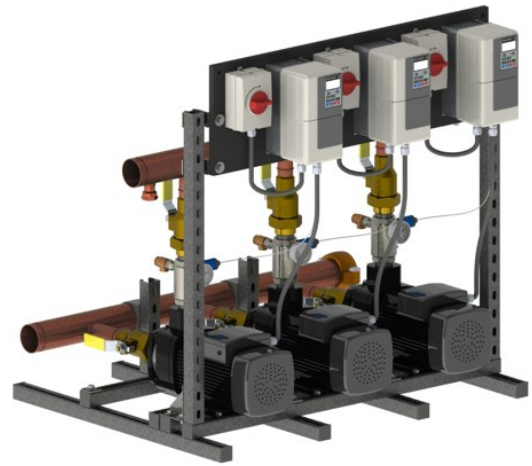


**TW3018T-420G-40  
TRIPLEX VARIABLE SPEED  
BOOSTER PUMP SYSTEM**

**TW3018T-420G-40 TRIPLEX**

The **TW3018T-420G-40 Triplex Booster Pump System** is equipped with centrifugal pumps regulated by variable frequency drives that control the pump to maintain constant pressure regardless of varying demand or fluctuating incoming pressure.

VFD drives will **ALTERNATE** lead pump every 24 hours of run time. Second and third pump will remain on standby.



*All parts shown included  
Actual system components may vary  
Some assembly required*

**Lead-Free (Wetted) components:**

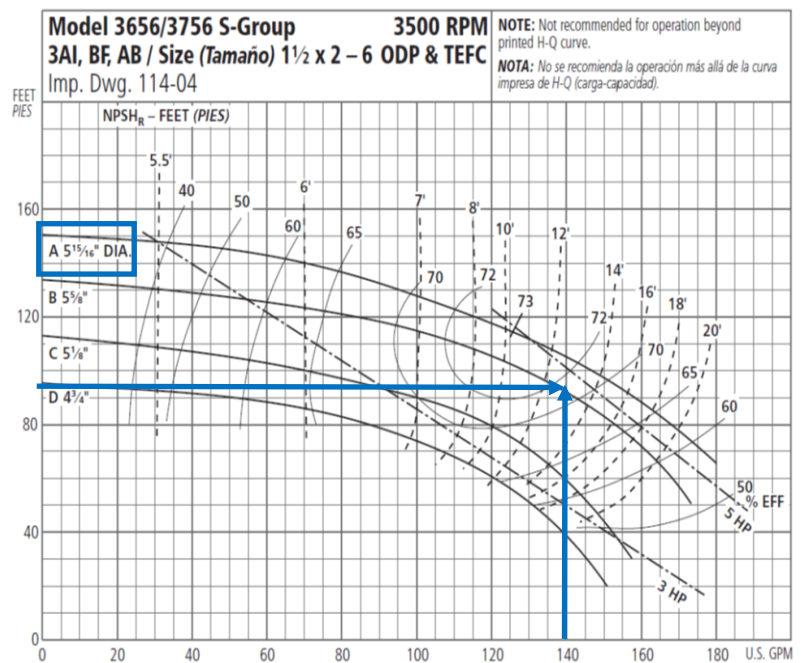
- Pumps: Cast Iron
- Relief valves: LF Brass
- Pressure Gauges: LF Brass
- Transducers: Stainless Steel
- Check valves: LF Brass
- Ball Valves: LF Brass
- Manifolds: Type L Copper
- Fittings: LF Brass or SS

\* All lead-free brass shall contain <.25% Pb

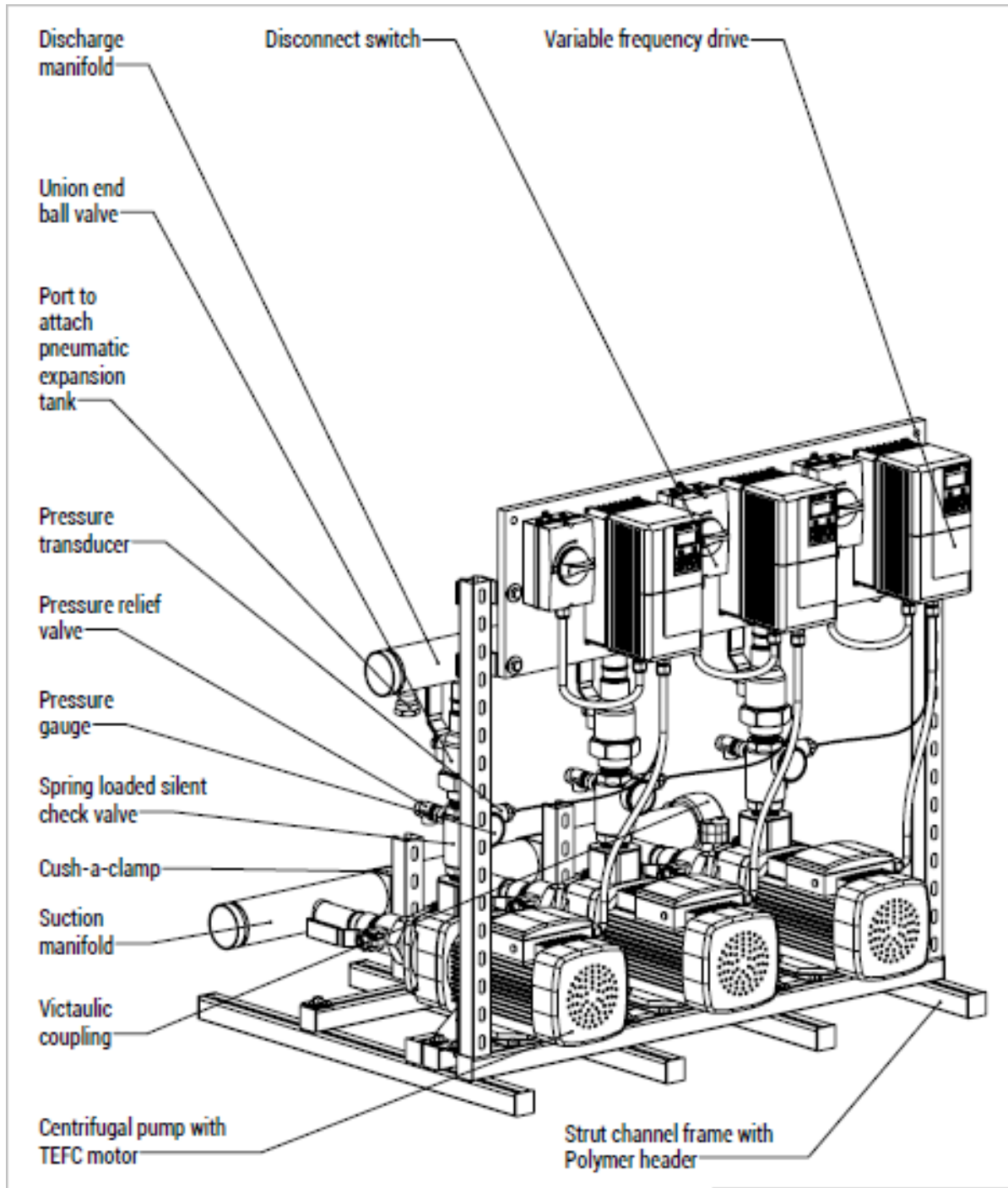
*Performance curve for each pump*

**Technical Specifications:**

- Pumps:** Goulds 3BF
- Horse Power:** 5 HP per pump
- VF Drives:** Yaskawa
- Flow Rate:** 420 GPM (140 GPM per pump)
- Boost:** 40 PSI
- Set Pressure:** 65 PSI (unless otherwise specified)
- Manifolds:** 4 Inch
- Tank:** 32 Gallon non-ASME
- Frame:** 43"W X 43"H X 34"D
- Power options:** Three Independent circuits required  
208-220V/1PH  
208-220V/3PH  
360-480V/3PH  
*Specify when ordering*

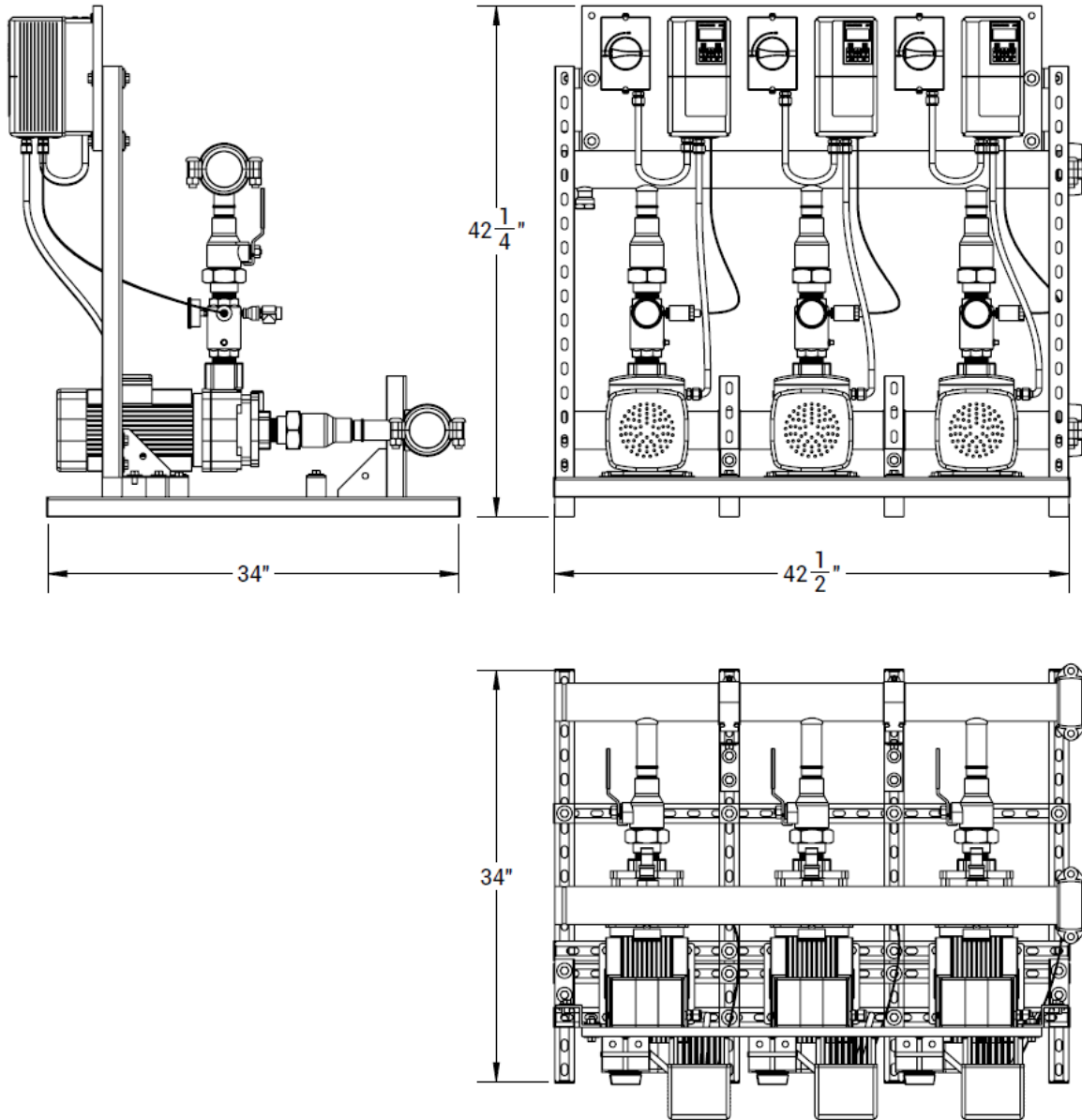


**SYSTEM CONFIGURATION**



|   |  |   |                          |   |  |
|---|--|---|--------------------------|---|--|
| <p><b>PROPRIETARY AND CONFIDENTIAL</b><br/>THE INFORMATION CONTAINED IN THIS DRAWING IS THE SOLE PROPERTY OF TOWLE WHITNEY LLC. ANY REPRODUCTION IN PART OR AS A WHOLE WITHOUT THE WRITTEN PERMISSION OF TOWLE WHITNEY LLC IS PROHIBITED.</p> |  | <p>DIMENSIONS ARE SUBJECT TO CHANGE<br/>DO NOT USE FOR CONSTRUCTION<br/>UNLESS OTHERWISE SPECIFIED<br/>DIMENSIONS ARE IN INCHES</p> |                          | <p><b>TOWLE WHITNEY LLC</b></p>                     |  |
|   |  | <p>DO NOT SCALE DRAWING</p>   |                          | <p><b>Triplex Variable Speed Booster System</b></p> |  |
|   |  | <p>DATE<br/>10/12/22</p>  | <p>DATE<br/>10/12/22</p> | <p>DRWG. NO. 2022-10-12-A</p>                       |  |
|   |  | <p>SCALE: 1/2" = 1'-0"</p>  |                          | <p>REV. 1 OF 1</p>                                  |  |

**SYSTEM DIMENSIONS**



**PROPRIETARY AND CONFIDENTIAL**  
THE INFORMATION CONTAINED IN THIS DRAWING IS THE SOLE PROPERTY OF TOWLE WHITNEY LLC. ANY REPRODUCTION IN PART OR AS A WHOLE WITHOUT THE WRITTEN PERMISSION OF TOWLE WHITNEY LLC IS PROHIBITED.

DIMENSIONS ARE SUBJECT TO CHANGE  
DO NOT USE FOR CONSTRUCTION  
UNLESS OTHERWISE SPECIFIED  
DIMENSIONS ARE IN INCHES

DO NOT SCALE DRAWING

|           | NAME | DATE     |
|-----------|------|----------|
| DRAWN:    | VID  | 10/12/22 |
| CHECKED:  | DW   | 10/12/22 |
| COMMENTS: |      |          |

**TOWLE WHITNEY LLC**  
**Triplex Variable Speed Booster System**

|                  |                                 |              |
|------------------|---------------------------------|--------------|
| SIZE<br><b>A</b> | DWG. NO.<br><b>2022-10-12-B</b> | REV.         |
| SCALE: 1:24      | WEIGHT:                         | SHEET 1 OF 1 |

**Assembled Units:**

- All “wetted surfaces” shall be lead free (<.25% Pb) in conformance with the 1/4/14 federal law
- Shall include a separate and independent variable frequency drive (VFD) for each pump with a pressure transducer, pressure gauge, and relief valve. Piping and frame shall not interfere with access to the controls
- Each pump shall include isolation valves on both the suction and discharge piping
- Each pump shall have a separate and independent disconnect box
- Shall be mounted on a frame for ease of transport and installation.

**Variable frequency drive:**

- Will ALTERNATE the lead pump every 24 hours (field adjustable) of run time. The lag pump shall be in standby
- Shall have hands-off automatic (HOA) capability
- Rated to operate using specified power requirement. The drive efficiency shall be 98% or better
- Have UL approval with all factory installed options and preset values and/or last saved data values will remain available to the operator after power outage
- Shall have at least NEMA 1 rated conduit enclosure
- The program will protect the pumps against damaging hydraulic conditions such as:
  - Motor overload, Pump overflow surges, Loss of prime due to incoming water supply interruption, Hunting
  - Protection from overload through frequency/current optimization
  - Protection from hydraulic damage by restricting the pumps to operate beyond their published end of curve
- Shall have the ability to automatically restart after an over-current, over-voltage, under-voltage or loss of input signal
- Shall have an operator control panel [keypad] for customization of parameters
- Shall include a feature to upload/download parameters into an external device to be used with another drive or the same drive
- Shall have a removable non-volatile memory device
- Shall be capable of accepting individual analog inputs from transducer. All transducer inputs must be wired to the variable frequency drive for continuous scan and comparison function
- Ladder logic program shall utilize a proportional - integral - derivative control function
- Shall display the following values:
  - Pump running/standby, Pump speed in Hz, User adjustable parameters such as PID set points, Motor frequency, Motor current, Threshold set points for PID error, Min operating frequency, Troubleshooting and diagnostics of faults

**Transducer:**

- The transducer shall be rated for required system pressure and shall be 4-20 mA analog
- Separate transducers shall be supplied for each variable frequency drive to ensure redundancy

**Centrifugal pump:**

- Shall have a cast iron casing with bronze fitted impellers.
- Shall have a 316 stainless steel shaft sleeve. Mechanical seal shall be rated to withstand pressure of up to 142 PSI
- Motor shall be to totally enclosed fan cooled (TEFC). and manufactured in compliance with CE, RoHS and CSA

**Pneumatic expansion tank:**

- Pneumatic expansion tank shall be rated for use with potable water with an operating pressure of a maximum 125 PSI
- Pre-charged to a pressure of 10 PSI below system operating pressure for system to run properly

**Manifolds, valves and fittings:**

- Manifolds are designed for either right or left access
- Shall be sized appropriately to allow water velocity not exceeding 10 ft/sec, to minimize cavitation and turbulence
- Check valves shall be silent and spring-loaded

**Installation:**

- Equipment shall be installed in accordance with applicable local building, electrical and plumbing codes
- Shall be installed indoors (unless otherwise specified) and protected from water spray

**COMPONENT COMPLIANCE**

**Electrical**

Yaskawa VFD

UL 508C Power Conversion  
CSA 22.2 Industrial Controls



CE

**RoHS**

Lovato Shut-off

NEMA4



CE

**RoHS**

**Pumps**

Grundfos CM(I) SS Series

NSF 61



CE

Grundfos CR(I) SS Series

NSF 61



CE

Goulds 125MS Series

NSF 61



CE

Goulds BF Series

NSF 61

Walrus TPH Series

NSF 372

CE

**RoHS**

**Plumbing**

Bluefin BVT200 Ball Valves NSF 61

Webstone BVT200 Ball Valves NSF 61

Bonomi Check 1000012 NSF 61

CE

Flomatic VFD Check NSF 61

Victaulic 607 "E" Coupling NSF 61

Victaulic 660 Cap NSF 61

Amtrol PL Tank NSF 61

Watts PLT Tank NSF 61

Manifolds / piping Type L Copper

Fittings Copper

Discharge Riser Copper

CE

- Pressure Relief valve:

- SS 4-20mA Transducer:

- Pressure Gauges: CA AB1953

**Sealants**

Rectorseal Nokorode Flux NSF 61

Worthington SILVER Solder NSF 61

LocTite 567 Thread Sealant NSF 61

Gasoil Thread Sealant NSF 61



**Warranty:** Provide VFD warranty, for one year from startup, not to exceed 18 months from the date of shipment. Warranty shall include parts, and labor allowance for repair hours.



**Performance Features (Drive)**

- Ratings:  
1 to 5 HP at 200-240 VAC 1-Ph.  
1 to 25 HP (ND) at 200-240 VAC 3-Ph.  
1 to 25 HP (ND) at 380-480 VAC 3-Ph.
- Overload Capacity:  
120% for 60 sec. (Normal Duty)
- Control Methods: V/f Control,  
Open Loop Current Vector Control
- DC injection braking, ramp to stop
- Electronic reversing
- Adjustable accel/decel: 0.01 to 6000 seconds
- Controlled speed range:  
40:1<sup>(1)</sup> 100:1<sup>(2)</sup>
- Speed Regulation:  
± 0.5 to 1% with slip compensation<sup>(1)</sup>  
± 0.2%<sup>(2)</sup>
- Displacement power factor: 0.98
- Output frequency: 0 to 400 Hz
- Frequency resolution:  
0.01 Hz with digital reference  
0.06 / 60 Hz with analog reference
- Frequency accuracy:  
0.01% with digital command  
0.5% with analog command
- Volts / hertz ratio: infinitely adjustable pattern
- DC Injection braking: adjustable amplitude, duration, current limited
- Torque boost: full range, auto
- Power loss ride-thru: 0.5 sec.
- Speed search
- Auto restart
- 3 Critical frequency rejection settings
- Slip Compensation
- Energy Savings Function
- Enhanced PID with loss of feedback function

<sup>(1)</sup> V/f Mode

<sup>(2)</sup> Open Loop Current Vector Mode

**Design Features (Drive)**

- Dual microprocessor logic
- Digital keypad operator, 5 digits
- LED status display
- Remote Mount Keypad Capability
- RJ-45 Style Digital Operator Connector
- 7 multifunction digital inputs
- 3 multifunction digital outputs
- Hardwire baseblock (EN954-1 Cat. 3)
- Programmable form C output contact for customer use: 1A at 250 VAC or 30 VDC
- 24 VDC control logic compatible with sourcing or sinking outputs (PNP or NPN)
- Carrier frequency: 15 kHz max; swing PWM
- 2 Remote speed references:  
0-10 VDC (20 kohms) or isolated 4-20 mA (250 ohms)
- Signal follower: bias and gain
- 2 programmable open collector outputs
- Analog monitor output:  
0-10 VDC proportional to output frequency or output current
- Approx. 400 parameters and monitors
- Digital pulse train input (33 kHz max.)
- Cooling fan controlled by drive run/stop
- RS-422/485 Modbus 115 kbps
- UL recognized electronic overload
- MTBF: 28 years
- NEMA 1 enclosure
- Side-by-Side mounting
- Maintenance monitors

**Protective Features (Drive)**

- Current limit, stall prevention during accel, decel, and run
- Motor and drive overload
- Over voltage prevention function
- Instantaneous over current
- Short circuit
- Under voltage
- Heatsink overheat
- Ground fault protection
- Over/under torque
- Short circuit current rating: 30kA rms sym.

**Pump Control Features**

- Operator keypad with intuitive pump language
- Hand-Off-Auto
- Programmable pump process set point
- Pump start level and start time
- Sleep protection
- Simplex, duplex and triplex control
- Automatic system restart
- No flow detection
- Low and high feedback set points
- Pre-charge low level control
- Thrust bearing control
- Automatic system stabilization
- Motor condensation pre-heat function

**Pump Protective Features**

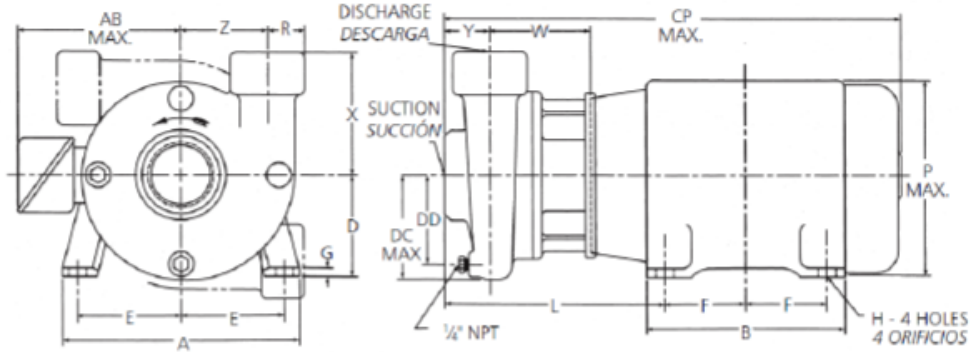
- Dry well
- Air in system
- Blocked impeller
- Pump over cycling
- No flow protection
- Loss of prime
- Transducer loss
- Over torque

**Pump Alarms and Messages**

- Low feedback
- High feedback
- Low level
- Low water
- Pump over cycling
- No flow detection
- Loss of prime
- Pump fault
- Motor thermostat
- Pre-charge mode
- Thrust bearing active
- Start mode active
- Sleep mode active

**3656 S-GROUP DIMENSIONS AND WEIGHTS  
GRUPO S, MODELO 3656 - PESO Y DIMENSIONES**

**MECHANICAL SEAL  
SELLO MECÁNICO**



**Pump Dimensions and Weights (Dimension "L" determined by Pump and Motor)**  
**Peso y dimensiones de la bomba (la dimensión "L" está determinada por la bomba y el motor)**

| Pump Bomba    | Suction Succión | Discharge Descarga | CP Max. | DC Max. | DD    | R     | W     | X     | Y     | Z     | Wt. (lbs.) Pesos (libras) | Motor Frame Size, Bastidor |        |        |        |
|---------------|-----------------|--------------------|---------|---------|-------|-------|-------|-------|-------|-------|---------------------------|----------------------------|--------|--------|--------|
|               |                 |                    |         |         |       |       |       |       |       |       |                           | 140                        | 180    | 210    | 250    |
| 1 x 2 - 7     | 2               | 1                  | 27      | 4 1/4   | 3 1/2 | 1 1/8 | 4 1/2 | 5 1/2 | 3     | 4     | 52                        | 10                         | 10 1/4 | —      | —      |
| 4             |                 |                    |         |         | 3 1/8 |       | 5 1/4 | 3 3/8 | 4 1/4 | 52    | —                         |                            |        | —      |        |
| 1 1/2 x 2 - 6 |                 | 1 1/2              | 23 3/4  | 3 1/2   | 1 1/4 | 4 1/2 | 2 1/2 | 3 1/2 | 34    | 9 1/4 | 10 1/2                    | —                          | —      | —      | —      |
| 1 1/2 x 2 - 8 | 3               | 2 1/2              | 25 1/2  | 5 1/8   | 4 1/2 | 1 1/8 | 4 1/4 | 5     | 3     | 4     | 49                        | 10 1/2                     | 10 1/4 | 11 1/2 | 11 1/2 |
| 2 1/2 x 3 - 7 |                 |                    |         |         |       |       |       |       |       |       |                           |                            |        | 2 1/2  | 25 1/2 |
| 3 x 4 - 7     | 4"              | 3"                 | 25 1/4  | 5 1/4   | 5 1/8 | 3 1/4 | 4 1/8 | 6     | 2 1/2 | 4 1/2 | 82                        | 9 1/4                      | 10 1/8 | 11 1/8 | —      |

\*For use with ANSI class 150 mating flange. All others are NPT connections.  
\* Para uso con brida de contacto ANSI clase 150. Todas las demás son conexiones NPT.

**Motor Dimensions and Weights (may vary with manufacturer)\***  
**Peso y dimensiones del motor (pueden variar de acuerdo al fabricante) \***

| Frame Size JM<br>Tamaño del bastidor JM | A      | AB (Max.) | B      | D     | E     | F     | G    | H      | P (Max.) | Weight (lbs.)<br>Pesos (libras) |
|---|--------|-----------|--------|-------|-------|-------|------|--------|----------|---------------------------------|
| 143                                     | 6 1/2  | 5 1/4     | 6      | 3 1/2 | 2 3/4 | 2     | 1/8  | 1 1/2  | 6 1/2    | 41                              |
| 145                                     |        |           |        |       |       | 2 1/2 |      |        |          | 57                              |
| 182                                     | 8 1/2  | 5 3/8     | 6 1/2  | 4 1/2 | 3 3/4 | 2 1/4 | 3/16 | 1 3/32 | 7 1/4    | 77                              |
| 184                                     |        |           |        |       |       | 2 3/4 |      |        |          | 97                              |
| 213                                     | 9 1/2  | 7 3/8     | 8      | 5 1/4 | 4 1/4 | 2 3/4 | 7/32 | 1 3/32 | 9 1/4    | 122                             |
| 215                                     |        |           |        |       |       | 3 1/2 |      |        |          | 155                             |
| 254 TCZ                                 | 11 1/4 | 9         | 9 1/2  | 6 1/4 | 5     | 4 1/8 | 1/4  | 1 3/32 | 11 1/2   | 265                             |
| 256 TCZ                                 |        |           | 11 1/4 |       |       | 5     |      |        |          | 320                             |

**NOTE:**  
All pumps shipped in vertical discharge position. May be rotated in 90° increments. Tighten casing bolts to 25 ft./lbs. torque.

**NOTA:**  
Todas las bombas se embarcan con la descarga en posición vertical. Esta posición puede rotarse en incrementos de 90°. Ajustar los pernos de la carcasa a una torsión de 25 pies/libras.

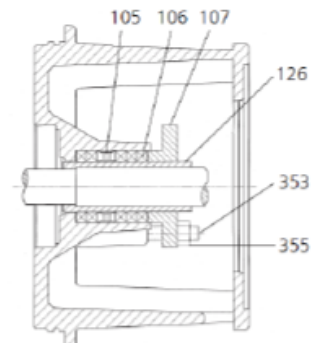
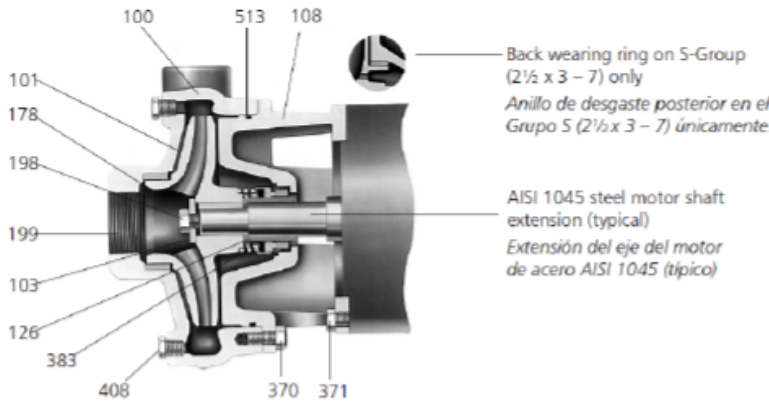
**Motor Frames and Horsepower**  
**Bastidores del motor y potencia en HP**

| Motor Frame Bastidor del motor | 3500 RPM |               |               |               | 1750 RPM |          |             |             |
|--------------------------------|----------|---------------|---------------|---------------|----------|----------|-------------|-------------|
|                                | 1 Phase  |               | 3 Phase       |               | 1 Phase  |          | 3 Phase     |             |
|                                | ODP      | TEFC          | ODP           | TEFC          | ODP      | TEFC     | ODP         | TEFC        |
| 143                            | —        | 3/4, 1, 1 1/2 | 3/4, 1, 1 1/2 | 3/4, 1, 1 1/2 | —        | 1/2, 3/4 | 1/2, 3/4, 1 | 1/2, 3/4, 1 |
| 145                            | —        | 2             | 2, 3          | 2, 3          | —        | 1, 1 1/2 | 1 1/2, 2    | 1 1/2, 2    |
| 182                            | 3        | 3             | 5             | 3             | 3        | 2, 3     | 3           | 3           |
| 184                            | 5        | 3, 5          | 7 1/2         | 5             | —        | —        | 5           | 5           |
| 213                            | 7 1/2    | —             | 10            | 7 1/2         | 5        | —        | 7 1/2       | 7 1/2       |
| 215                            | 10       | —             | 15            | 10, 15        | —        | —        | —           | —           |
| 254TCZ                         | —        | —             | 20            | —             | —        | —        | —           | —           |
| 256TCZ                         | —        | —             | 25            | 20, 25        | —        | —        | —           | —           |

All dimensions in inches and weights in lbs. Do not use for construction purposes.  
Todas las dimensiones están en pulgadas, el peso en libras. No utilizar para fines de construcción.



**3656 S-GROUP MATERIALS OF CONSTRUCTION**  
**MATERIALES DE CONSTRUCCIÓN - GRUPO S, MODELO 3756**



Packed Box Arrangement  
*Caja prensaestopas*

| Item No.<br>No. ítem | Description<br>Descripción   | Materials, Materiales  |                                       |                           |
|----------------------|--|--|---------------------------------------|---------------------------|
|                      |  | All Iron<br>Todo hierro  | Bronze Fitted<br>Accesorios de bronce | All Bronze<br>Todo bronce |
| 100                  | Casing, Carcasa  | 1001   | 1001                                  | 1101                      |
| 101                  | Impeller, Impulsor   |  | 1101                                  |                           |
| 103                  | Casing wear ring, Anillo de desgaste de la carcasa   |  | 1618                                  | 1618                      |
| 108                  | Adapter, Adaptador   |  | 1001                                  | 1001                      |
| 184                  | Seal housing, Cubierta del sello ①   | One piece with adapter, Una pieza con adaptador                              |                                       | 1101                      |
| 126                  | Shaft sleeve, Camisa del eje   | AISI Type 300 series stainless steel<br>Acero inoxidable serie AISI tipo 300 |                                       |                           |
| 198                  | Impeller bolt, Perno del impulsor  |  |                                       |                           |
| 199                  | Impeller washer, Arandela del impulsor   |  |                                       |                           |
| 178                  | Impeller key, Chaveta del impulsor   | Carbon Steel, Acero al carbono   |                                       |                           |
| 370                  | Hex head cap screw (adapter to case), Tornillo de cabeza hexagonal (del adaptador a la cubierta) | Steel SAE 1200 Grade 5<br>Acero SAE 1200 grado 5                             |                                       |                           |
| 371                  | Hex head cap screw (adapter to motor), Tornillo de cabeza hexagonal (del adaptador al motor)     |  |                                       |                           |
| 383                  | Mechanical seal, Sello mecánico  | See seal chart, Ver tabla del sello  |                                       |                           |
| 408                  | Pipe plug 1/4" or 3/8", Tapón de tubos de 1/4 de pulgada ó 3/8 de pulgada                        | Steel, Acero   |                                       | Bronze, Bronce            |
| 513                  | O-ring, Anillo en O  | BUNA-N, BUNA-N   |                                       |                           |

| Material Code, Código de material | Engineering Standard, Norma de ingeniería                             |
|-----------------------------------|---|
| 1101                              | Cast iron ASTM A48 CL20, Hierro fundido ASTM A48 CL20                 |
| 1101                              | Silicon bronze ASTM B584, C87500, Siliuro de bronce ASTM B584, C87500 |
| 1618                              | Bismuth brass, Latón al bismuto                                       |

| Packed Box Arrangement, Caja prensaestopas |   |  |  |
|--|---|--|--|
| Item No., No. ítem                         | Description, Descripción                | Materials, Materiales                    |  |
| 105  | Lantern ring, Aro de linterna           | Teflon™                                  |  |
| 106  | Packing, 5 rings; Empaquetadura, 5 aros | Teflon Impregnated, Impregnado de Teflon |  |
| 107  | Gland, Casquillo                        | AISI 316SS                               |  |
| 126  | Shaft sleeve, Camisa del eje            | AISI Type 300 Series Stainless Steel     |  |
| 353  | Gland stud, Perno del casquillo         | Acero inoxidable serie AISI tipo 300     |  |
| 355  | Gland nut, Tuerca del casquillo         |  |  |

| Type 21 Mechanical Seal, Tipo 21 sello mecánico |  |                          |                         |                                 |                        |       |
|---|--|--------------------------|-------------------------|---------------------------------|------------------------|-------|
| Seal Code, Código del Sello                     | Rotary, Rotativo   | Stationary, Estacionario | Elastomers, Elastómeros | Metal Parts, Partes Metálicas   | Part No., Pieza Número |       |
| 0   | Carbon, Carbón   | Ceramic, Cerámica        | BUNA-N                  | 316 SS,<br>316 Acero inoxidable | 10K13                  |       |
| 1   |  |                          | EPR                     |                                 | 10K19                  |       |
| 3   | Sil-Carbide, Carburo de sílice   | Viton                    |                         |                                 | 10K27                  |       |
| 5   |  |                          |                         |                                 | 10K64                  |       |
| 9   | Packed Box Design with BUNA O-Ring, Diseño de prensaestopas empacado con anillo en O de BUNA |                          |                         |                                 |                        | 15K16 |

① For separate seal housing and adapter construction, all bronze material only, see repair parts page.  
*Para la construcción separada del compartimiento del sello y el adaptador, materiales de bronce únicamente, consulte la página de piezas de repuesto.*

**NOTE:**  
Pumps will be shipped with top-vertical discharge position as standard. For other orientations, remove casing bolts – rotate discharge to desired position – replace and tighten bolts to 25 ft./lbs. Note that discharge may extend below motor mounting surface in bottom-horizontal position; adequate clearance must be provided.

**NOTA:**  
Las bombas salen de la fábrica con la descarga orientada en posición vertical superior de manera estándar. Para modificar la orientación, retirar los pernos de la carcasa, hacer girar la descarga hasta la posición deseada y volver a colocar los pernos, ajustándolos a una torsión de 25 pies/libras. Se ha de notar que la descarga se puede extender por debajo de la superficie de montaje del motor en la posición horizontal inferior; por lo tanto, debe proveerse suficiente espacio.

**PNEUMATIC EXPANSION TANK SPECIFICATIONS**



**PRO-LINE®**  
Diaphragm Well Tanks: PL Series

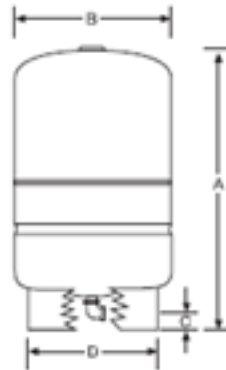
**125 PSIG Working Pressure**

**Construction**

|                   |                      |
|-------------------|----------------------|
| Shell             | Deep Drawn Steel     |
| Diaphragm         | Butyl                |
| Liner             | Polypropylene        |
| System Connection | 304L Stainless Steel |
| Finish            | Tan                  |
| Water Circulator  | Turbulator™          |
| Air Valve         | Projection Welded    |
| Factory Precharge | 38 PSIG (2.6 bar)    |

**Application**

• Controls pump cycling in residential well water systems.



**Performance**

|                               |                    |
|-------------------------------|--------------------|
| Maximum Operating Temperature | 200°F (93°C)       |
| Maximum Working Pressure      | 125 PSIG (8.6 bar) |
| Maximum Relief Valve Setting  | 100 PSIG (6.9 bar) |
| Warranty                      | 5 Year             |

**Stand Models**

| Model  | Tank Volume |     | Max. Accept. Factor | A Tank Height |      | B Tank Diameter |     | C Sys. Conn. Centerline |    | D Stand Diameter |     | System Conn. (NPTF) | Shipping Weight |    |
|--------|-------------|-----|---------------------|---------------|------|-----------------|-----|-------------------------|----|------------------|-----|---------------------|-----------------|----|
|        | Gal         | Lit |                     | in            | mm   | in              | mm  | in                      | mm | in               | mm  |                     | Lbs             | Kg |
| PL-14  | 14.0        | 53  | 0.81                | 25            | 635  | 15              | 381 | 1 1/4                   | 40 | 12               | 304 | 1                   | 22              | 10 |
| PL-20  | 20.0        | 76  | 0.57                | 32            | 813  | 15              | 381 | 1 1/4                   | 40 | 12               | 304 | 1                   | 28              | 13 |
| PL-26  | 26.0        | 98  | 0.44                | 39            | 991  | 15              | 381 | 1 1/4                   | 40 | 12               | 304 | 1                   | 34              | 15 |
| PL-32  | 32.0        | 121 | 0.35                | 47            | 1194 | 15              | 381 | 1 1/4                   | 40 | 12               | 304 | 1                   | 40              | 18 |
| PL-34  | 34.0        | 129 | 1.00                | 30            | 762  | 22              | 559 | 1 1/4                   | 49 | 20 1/2           | 521 | 1 1/4               | 50              | 23 |
| PL-44  | 44.0        | 167 | 0.77                | 38            | 914  | 22              | 559 | 1 1/4                   | 49 | 20 1/2           | 521 | 1 1/4               | 57              | 26 |
| PL-62  | 62.0        | 235 | 0.55                | 47            | 1194 | 22              | 559 | 1 1/4                   | 49 | 20 1/2           | 521 | 1 1/4               | 75              | 34 |
| PL-81  | 81.0        | 301 | 0.41                | 57            | 1448 | 22              | 559 | 1 1/4                   | 49 | 20 1/2           | 521 | 1 1/4               | 92              | 42 |
| PL-86  | 86.0        | 326 | 0.54                | 47            | 1194 | 26              | 660 | 2 1/4                   | 52 | 20 1/2           | 521 | 1 1/4               | 99              | 45 |
| PL-119 | 119.0       | 450 | 0.39                | 62            | 1575 | 26              | 660 | 2 1/4                   | 52 | 20 1/2           | 521 | 1 1/4               | 133             | 60 |

All dimensions and weights are approximate.



## **Booster Pump Systems**

### **Three Year Limited Warranty**

This warranty applies to booster pump systems built by Towle Whitney LLC, and shall:

- Exist 36 months from the date of shipment.
- Be in effect only after installation photographs are received by Towle Whitney LLC.

Towle Whitney LLC liability under this warranty shall be limited to the repair or replacement of any part or parts found to be defective (material or workmanship) within the warranty period. Towle Whitney LLC shall determine whether the part needs to be returned, or field scrapped. The warranty excludes:

- Any water damage or consequential damage.
- Transducers & Pump Seals.
- Debris in water causing damage to pump internal parts.
- Systems not installed in accordance with Installation and Maintenance Instructions.
- Labor, transportation, and related costs incurred by the customer.
- Misuse, negligence, inappropriate chemicals or additives in water.
- Inadequate protection from freezing.
- Lightning, high voltage spikes, accidents, floods, or acts of God.
- Re-Installation costs of repaired or replacement equipment.
- Re-Imbursement for the loss caused by interruption of service.
- Adjusting drive parameters without consulting Towle Whitney.

This warranty applies to all states and territories of the United States and Canada only. There are no express or implied warranties, including merchantability or fitness for a particular purpose, which extend beyond those warranties described or referred to above.

Some jurisdictions do not allow the exclusion or limitation of incidental or consequential damages and some jurisdictions do not allow limit actions on how long implied warranties may last. Therefore, the above limitations or exclusions may not apply. This warranty gives you specific legal rights and you may also have other rights which vary from jurisdiction to jurisdiction.