

**TW1000-100G-30 FLAG FRAME
VARIABLE SPEED BOOSTER SYSTEM**

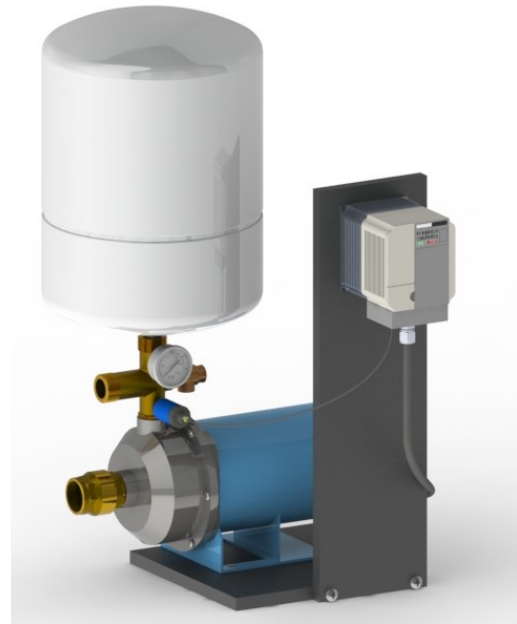
TW1000-100G-30 FLAG FRAME

The *TW1000-100G-30 Flag Frame Booster System* is equipped with a centrifugal pump regulated by a variable frequency drive that controls the pump operation to maintain constant pressure regardless of varying demand or fluctuation in incoming pressure.

Lead-Free* (Wetted) components:

- Centrifugal Pump: Stainless Steel
- Relief valve: Stainless Steel
- Pressure Gauge: Lead Free Brass
- Transducer: Stainless Steel
- Tee: Stainless Steel
- Check valve: Lead Free Brass
- Fittings: Stainless Steel

*All lead-free brass shall contain <.25% Pb



*All parts shown are included in the system
Actual system components may vary
Some assembly required*

Technical Specifications:

Pump: Gould 125MS

Horse Power: 3 HP

Controller: Yaskawa

Flow Rate: 100 GPM

Boost: 30 PSI

Suction: 1 1/2 inch

Discharge: 1 1/4 inch

Tank: 4.5 Gallon [PLT-12]

Frame Size: 22" W x 24" H x 17" D

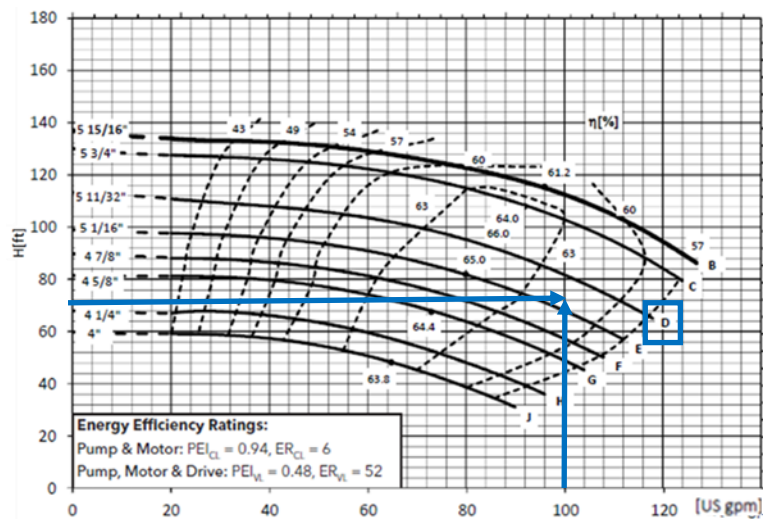
Decibel rating: <80 db @ 3500 RPM

SPECIFY WHEN ORDERING

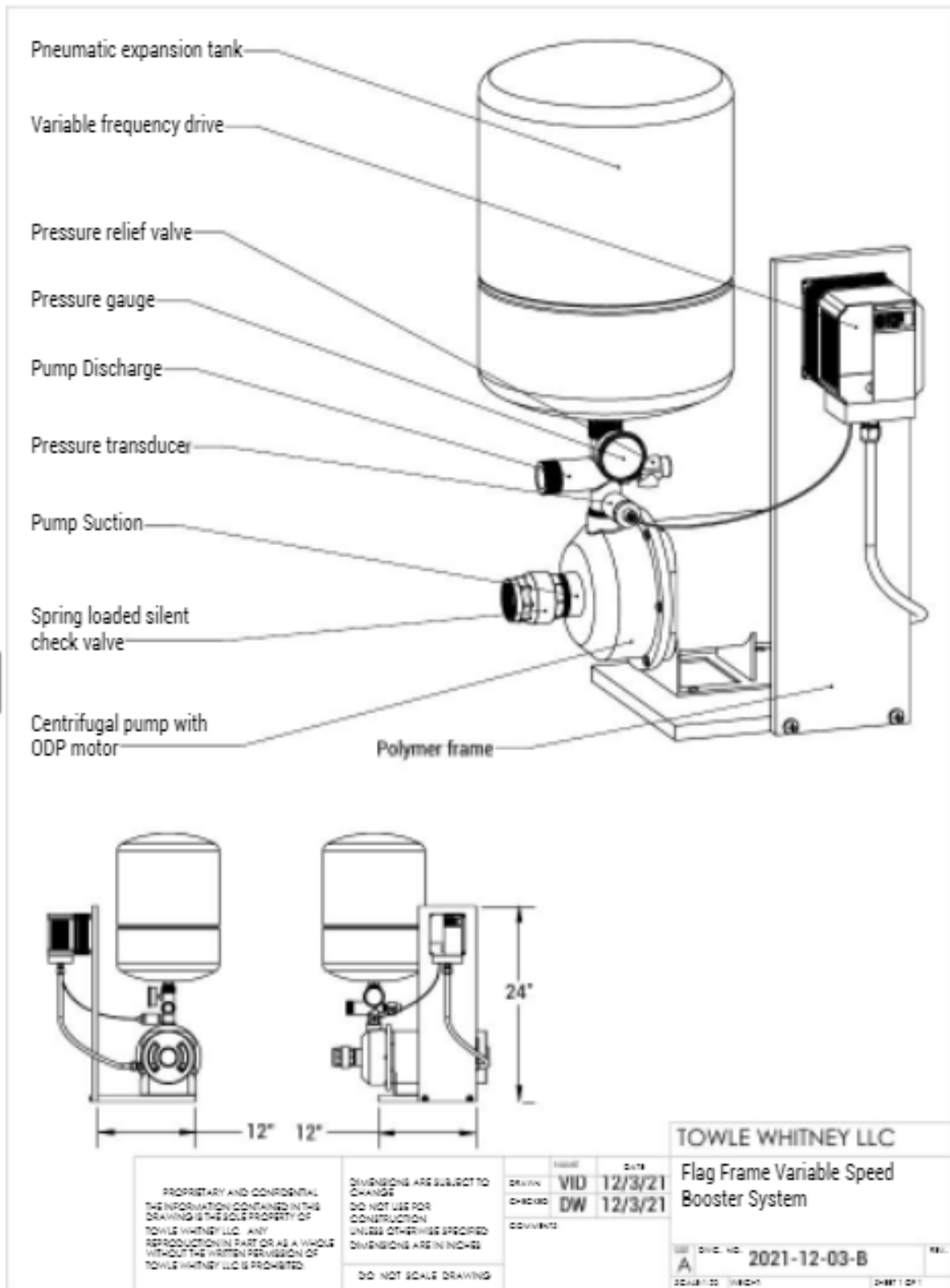
1. Discharge Pressure: _____ PSI
2. Power: Independent circuit recommended

200-240V/1 Phase
200-240V/3 Phase
360-480V/3 Phase

Performance curve for each pump



SYSTEM CONFIGURATION



Assembled Units:

- All “wetted surfaces” shall be lead free (<.25% Pb) in conformance with the 1/4/14 federal law
- Shall have a variable frequency drive (VFD) with a pressure transducer, pressure gauge, and relief valve
- Each system shall have a properly sized air charged pneumatic tank
- Pump shall be connected to a separate and independent disconnect box [supplied by others]

Variable Frequency Drive (VFD) shall:

- Shall be rated using specified power requirement, efficiency shall be 98% or better at full speed
- All factory preset values and/or last saved data values must remain available to the operator in the event of a complete power outage
- NEMA 1 rated conduit enclosure
- Operate to a program that protects the pump against damaging hydraulic conditions such as:
 - Motor overload, pump overflow surges, loss of prime due to incoming water supply interruption, hunting, overload through frequency/current optimization, hydraulic damage by restricting the pumps to operate beyond their published end of curve
- Automatically restart after an over-current, over-voltage, under-voltage or loss of input signal protective trip
- Have an operator control panel [keypad] for customization of parameters
- Include a feature to upload / download parameters into an external device to be used with another drive or the same drive
- Have a removable non-volatile memory device
- Be capable of accepting individual analog inputs from transducer. All transducer inputs must be wired to the variable frequency drive for continuous scan and comparison function
- Utilize a proportional ladder logic program - integral - derivative control function
- Display the following values:
 - Pump running/standby, pump speed in Hz, user adjustable parameters such as PID set points
 - Motor frequency, motor current, threshold set points for PID error, minimum operating frequency
 - Troubleshooting and diagnostics of faults

Transducer:

- Shall be provided to supply all pressure signals to the variable frequency drive
- Shall be rated for required system pressure and shall be 4-20 mA analog

Centrifugal pump:

- Shall have stainless steel casing with 304 stainless steel impellers.
- Shall have a 316 stainless steel shaft sleeve and a replaceable tungsten carbide + HNBR mechanical seal
- Mechanical seal shall be rated to withstand pressure of up to 142 PSI
- Motor shall be totally enclosed fan cooled (TEFC) and manufactured in compliance with CE, RoHS and CSA

Pneumatic expansion tank:

- Shall be rated for use with potable water with an operating pressure of a maximum 125 PSI
- Shall be pre-charged to a pressure of 10 PSI below system operating pressure

Valves and fittings:

- Shall be sized appropriately to allow water velocity not exceeding 10 ft/sec, to minimize cavitation and turbulence
- Check valve shall be spring-loaded and silent

Installation:

- Equipment shall be installed in accordance with applicable local building, electrical and plumbing codes
- Shall be installed indoors (unless otherwise specified) and protected from water spray



Warranty: Provide VFD warranty, for one year from startup, not to exceed 18 months from the date of shipment. Warranty shall include parts, and labor allowance for repair hours.



Performance Features (Drive)

- Ratings:
1 to 5 HP at 200-240 VAC 1-Ph.
1 to 25 HP (ND) at 200-240 VAC 3-Ph.
1 to 25 HP (ND) at 380-480 VAC 3-Ph.
- Overload Capacity:
120% for 60 sec. (Normal Duty)
- Control Methods: V/f Control,
Open Loop Current Vector Control
- DC injection braking, ramp to stop
- Electronic reversing
- Adjustable accel/decel: 0.01 to 6000 seconds
- Controlled speed range:
40:1⁽¹⁾ 100:1⁽²⁾
- Speed Regulation:
± 0.5 to 1% with slip compensation⁽¹⁾
± 0.2%⁽²⁾
- Displacement power factor: 0.98
- Output frequency: 0 to 400 Hz
- Frequency resolution:
0.01 Hz with digital reference
0.06 / 60 Hz with analog reference
- Frequency accuracy:
0.01% with digital command
0.5% with analog command
- Volts / hertz ratio: infinitely adjustable pattern
- DC Injection braking: adjustable amplitude, duration, current limited
- Torque boost: full range, auto
- Power loss ride-thru: 0.5 sec.
- Speed search
- Auto restart
- 3 Critical frequency rejection settings
- Slip Compensation
- Energy Savings Function
- Enhanced PID with loss of feedback function

⁽¹⁾ V/f Mode

⁽²⁾ Open Loop Current Vector Mode

Design Features (Drive)

- Dual microprocessor logic
- Digital keypad operator, 5 digits
- LED status display
- Remote Mount Keypad Capability
- RJ-45 Style Digital Operator Connector
- 7 multifunction digital inputs
- 3 multifunction digital outputs
- Hardwire baseblock (EN954-1 Cat. 3)
- Programmable form C output contact for customer use: 1A at 250 VAC or 30 VDC
- 24 VDC control logic compatible with sourcing or sinking outputs (PNP or NPN)
- Carrier frequency: 15 kHz max; swing PWM
- 2 Remote speed references:
0-10 VDC (20 kohms) or isolated 4-20 mA (250 ohms)
- Signal follower: bias and gain
- 2 programmable open collector outputs
- Analog monitor output:
0-10 VDC proportional to output frequency or output current
- Approx. 400 parameters and monitors
- Digital pulse train input (33 kHz max.)
- Cooling fan controlled by drive run/stop
- RS-422/485 Modbus 115 kbps
- UL recognized electronic overload
- MTBF: 28 years
- NEMA 1 enclosure
- Side-by-Side mounting
- Maintenance monitors

Protective Features (Drive)

- Current limit, stall prevention during accel, decel, and run
- Motor and drive overload
- Over voltage prevention function
- Instantaneous over current
- Short circuit
- Under voltage
- Heatsink overheat
- Ground fault protection
- Over/under torque
- Short circuit current rating: 30kA rms sym.

Pump Control Features

- Operator keypad with intuitive pump language
- Hand-Off-Auto
- Programmable pump process set point
- Pump start level and start time
- Sleep protection
- Simplex, duplex and triplex control
- Automatic system restart
- No flow detection
- Low and high feedback set points
- Pre-charge low level control
- Thrust bearing control
- Automatic system stabilization
- Motor condensation pre-heat function

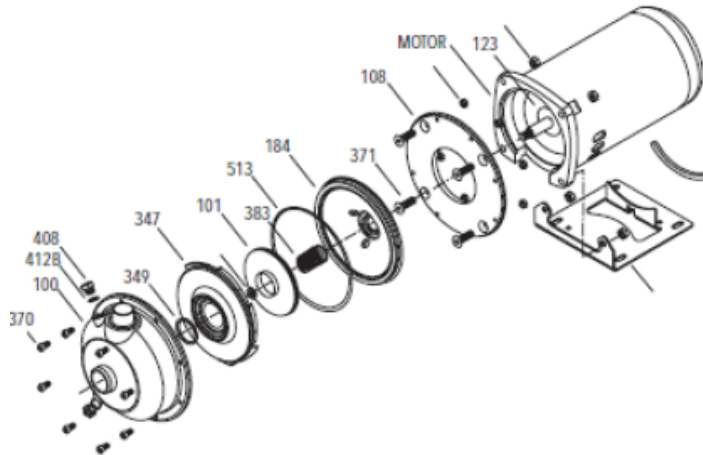
Pump Protective Features

- Dry well
- Air in system
- Blocked impeller
- Pump over cycling
- No flow protection
- Loss of prime
- Transducer loss
- Over torque

Pump Alarms and Messages

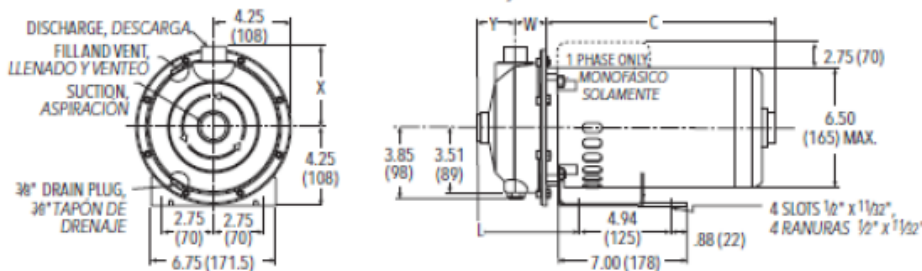
- Low feedback
- High feedback
- Low level
- Low water
- Pump over cycling
- No flow detection
- Loss of prime
- Pump fault
- Motor thermostat
- Pre-charge mode
- Thrust bearing active
- Start mode active
- Sleep mode active

MCS CLOSE COUPLED PUMP MAJOR COMPONENTS: MATERIALS OF CONSTRUCTION
MATERIALES DE CONSTRUCCIÓN DE LOS PRINCIPALES COMPONENTES DE LA BOMBA
MCS DE ACOPLAMIENTO CERRADO



Item No., Parte No.	Description, Descripción	Materials, Materiales
100	Casing, Carcasa	AISI 316L SS,
101	Impeller, Impulsor	AISI 316L Acero inoxidable
108	Motor adapter, Adaptador del motor	Aluminum, Aluminio
123	Deflector, Deflector	BUNA-N
184	Seal housing, Alojamiento del sello	AISI 316LSS, AISI 316L Acero inoxidable
347	Guidevane, Difusor	
349	Seal ring, guidevane; Anillo del sello, difusor	BUNA-N
370	Socket head screws, casing; Encajes de tornillos, carcasa	AISI 410 SS, AISI 410 Acero inoxidable
371	Bolts, motor; Bulones, motor	Steel, Acero
383	Mechanical seal, Sello mecánico	see chart, ver tabla
408	Drain and vent plug, casing; Tapones de drenaje y ventilación, carcasa	AISI 316L SS, AISI 316L Acero inoxidable
412B	O-ring, drain and vent plug; Anillo 'O', tapón de drenaje y ventilación	Viton
513	O-ring, casing; Anillo 'O', carcasa	
Motor	NEMA standard, 56Y flange;	
Motor	NEMA estándar, brida 56Y	

MCS CLOSE COUPLED - DIMENSIONS, WEIGHTS AND SPECIFICATIONS
MCS ACOPLAMIENTO CERRADO - DIMENSIONES, PESOS Y ESPECIFICACIONES



Clockwise rotation viewed from drive end. Rotación en dirección de las agujas del reloj visto desde el extremo del motor.

- NOTES:**
1. Pumps will be shipped with top vertical discharge as standard. For other orientations, remove casing screws, rotate to desired position, and tighten 6mm screws to 5 - 6 lbs./ft. (6.8-8 N-m).
 2. Dimensions in inches and millimeters (mm). Weight in pounds and kilograms (kg).
 3. Motor dimensions may vary with motor manufacturer.
 4. Not to be used for construction purposes unless certified.

Dimensions and Weights - Determined by Pump, Dimensiones y peso - Determinados por la bomba

Pump, Bomba	Suct., Aspiración	Disch., Descarga	HP	W	X	Y	L	Wt. Less Motor, Peso sin motor
100 MS	1.25 (32)	1.00 (25)	1/2-3	1.64 (42)	4.37 (111)	2.00 (51)	5.18 (131)	6 (2.7)
125 MS	1.50 (38)	1.25 (32)	1.50-7.50	2.08 (53)	4.45 (113)	2.13 (54)	5.74 (146)	7 (3.2)
150 MS	2.00 (51)	1.50 (38)	1.50-5	2.08 (53)	4.45 (113)	2.13 (54)	5.74 (146)	7 (3.2)

Dimensions and Weights - Determined by Motor, Dimensiones y peso - Determinados por el motor

HP	Motor Length and Weights, Longitud y peso del motor							
	1 Phase, Monofásicos				3 Phase, Trifásicos			
	ODP*		TEFC*		ODP*		TEFC*	
	C	Weight, Peso	C	Weight, Peso	C	Weight, Peso	C	Weight, Peso
1/2	9.88 (251)	21 (9.5)	11.34 (288)	34 (15.4)	9.79 (249)	19 (8.6)	8.60 (218)	20 (9.1)
3/4	10.63 (270)	26 (11.8)	11.59 (294)	33 (14.9)	9.79 (249)	25 (11.3)	10.34 (263)	21 (9.5)
1	10.88 (276)	28 (12.7)	12.09 (307)	37 (16.8)	9.79 (249)	26 (11.8)	10.84 (275)	30 (13.6)
1 1/2	11.13 (283)	28 (12.7)	12.59 (320)	42 (19)	10.54 (268)	28 (12.7)	11.09 (282)	33.75 (15.3)
2	11.73 (298)	40 (18.1)	12.84 (326)	42 (19)	11.04 (280)	34 (15.4)	11.81 (300)	36 (16.3)
3	12.48 (317)	43 (19.5)	13.34 (339)	48 (21.7)	12.29 (312)	34 (15.4)	12.56 (319)	41 (18.6)
5	13.14 (334)	49 (22.2)	-	-	13.79 (350)	46 (20.8)	-	-

* Premium efficiency where required by Department of Energy regulations.
* Eficacia superior donde se requiera por el Ministerio de regulaciones de la Energía.

- NOTAS:**
1. Las bombas se entregan con la descarga vertical superior estándar; para una orientación diferente, retire los tornillos de la carcasa, hacer girar hasta la posición deseada y ajustar los bulones de 6 mm a 5-6 libras/pie (6,8-8 N-m).
 2. Dimensiones en pulgadas y milímetros (mm), peso en libras y kilogramos (kg).
 3. Las dimensiones del motor pueden variar de acuerdo al fabricante.
 4. No utilizar para fines de construcción a menos que estén certificadas.

PNEUMATIC EXPANSION TANK SPECIFICATIONS

Models: PLT-5, PLT-12, PLT-20

Air Side Pre-pressure (psi) (bar)	Water Side Volume at 150psi (10.3 bar) (gallons)		
	PLT-5	PLT-12	PLT-20
20 (1.4)	1.48	3.42	7.102
40 (2.8)	1.26	2.88	5.882
60 (4.1)	1.0	2.49	4.705
80 (5.5)	.80	1.85	4.009

Description	PLT-5 Order No. 0067370	PLT-12 Order No. 0067371	PLT-20 Order No. 0067372
Max. Pressure - psi	150	150	150
Max. Temp. - °F	200	200	200
Tank Volume - gal.	2.1	4.5	8.5
Tank Acceptance - gal.	1.26	2.8	3.4
Air Pre-charge - psi	20	20	20
Connections Size - in.	¾ male	¾ male	¾ male
Diameter - in.	8	10.5	12½
Length - in.	11	13.5	19¾
Weight - lbs.	5.5	10	15



Certified to ANSI/NSF 61
(73°F/23°C)



Listed by IAPMO

CALIFORNIA PROPOSITION 65 WARNING
WARNING: This product contains chemicals known to the State of California to cause cancer and birth defects or other reproductive harm. (California law requires this warning to be given to customers in the State of California.)
For more information: www.watts.com/prop65

Disclaimer: The manufacturer of this tank does not accept any liability or other responsibility for personal injury or property damage resulting from improper use, installation or operation of this tank or the system of which it is a part.

Notice: The expansion tank, piping and your connections may in time leak. Select a location to install the expansion tank where a water leak will not damage the surrounding area. The manufacturer is not responsible for any water damage in connection with this expansion tank.

Limited Warranty: Watts Regulator Co. (the "Company") warrants each product to be free from defects in material and workmanship under normal usage for a period of one year from the date of original shipment. In the event of such defects within the warranty period, the Company will, at its option, replace or recondition the product without charge. **THE WARRANTY SET FORTH HEREIN IS GIVEN EXPRESSLY AND IS THE ONLY WARRANTY GIVEN BY THE COMPANY WITH RESPECT TO THE PRODUCT. THE COMPANY MAKES NO OTHER WARRANTIES, EXPRESS OR IMPLIED. THE COMPANY HEREBY SPECIFICALLY DISCLAIMS ALL OTHER WARRANTIES, EXPRESS OR IMPLIED, INCLUDING BUT NOT LIMITED TO THE IMPLIED WARRANTIES OF MERCHANTABILITY AND FITNESS FOR A PARTICULAR PURPOSE.**

The remedy described in the first paragraph of this warranty shall constitute the sole and exclusive remedy for breach of warranty, and the Company shall not be responsible for any incidental, special or consequential damages, including without limitation, lost profits or the cost of repairing or replacing other property which is damaged if this product does not work properly, other costs resulting from labor charges, delays, vandalism, negligence, fouling caused by foreign material, damage from adverse water conditions, chemical, or any other circumstances over which the Company has no control. This warranty shall be invalidated by any abuse, misuse, misapplication, improper installation or improper maintenance or alteration of the product.

Some States do not allow limitations on how long an implied warranty lasts, and some States do not allow the exclusion or limitation of incidental or consequential damages. Therefore the above limitations may not apply to you. This Limited Warranty gives you specific legal rights, and you may have other rights that vary from State to State. You should consult applicable state laws to determine your rights. **SO FAR AS IS CONSISTENT WITH APPLICABLE STATE LAW, ANY IMPLIED WARRANTIES THAT MAY NOT BE DISCLAIMED, INCLUDING THE IMPLIED WARRANTIES OF MERCHANTABILITY AND FITNESS FOR A PARTICULAR PURPOSE, ARE LIMITED IN DURATION TO ONE YEAR FROM THE DATE OF ORIGINAL SHIPMENT.**





Booster Pump Systems

Three Year Limited Warranty

This warranty applies to booster pump systems built by Towle Whitney LLC, and shall:

- Exist 36 months from the date of shipment.
- Be in effect only after installation photographs are received by Towle Whitney LLC.

Towle Whitney LLC liability under this warranty shall be limited to the repair or replacement of any part or parts found to be defective (material or workmanship) within the warranty period. Towle Whitney LLC shall determine whether the part needs to be returned, or field scrapped. The warranty excludes:

- Any water damage or consequential damage.
- Transducers & Pump Seals.
- Debris in water causing damage to pump internal parts.
- Systems not installed in accordance with Installation and Maintenance Instructions.
- Labor, transportation, and related costs incurred by the customer.
- Misuse, negligence, inappropriate chemicals or additives in water.
- Inadequate protection from freezing.
- Lightning, high voltage spikes, accidents, floods, or acts of God.
- Re-Installation costs of repaired or replacement equipment.
- Re-Imbursement for the loss caused by interruption of service.
- Adjusting drive parameters without consulting Towle Whitney.

This warranty applies to all states and territories of the United States and Canada only. There are no express or implied warranties, including merchantability or fitness for a particular purpose, which extend beyond those warranties described or referred to above.

Some jurisdictions do not allow the exclusion or limitation of incidental or consequential damages and some jurisdictions do not allow limit actions on how long implied warranties may last. Therefore, the above limitations or exclusions may not apply. This warranty gives you specific legal rights and you may also have other rights which vary from jurisdiction to jurisdiction.